



Center & Linear Drains





Contents

Linear Drains

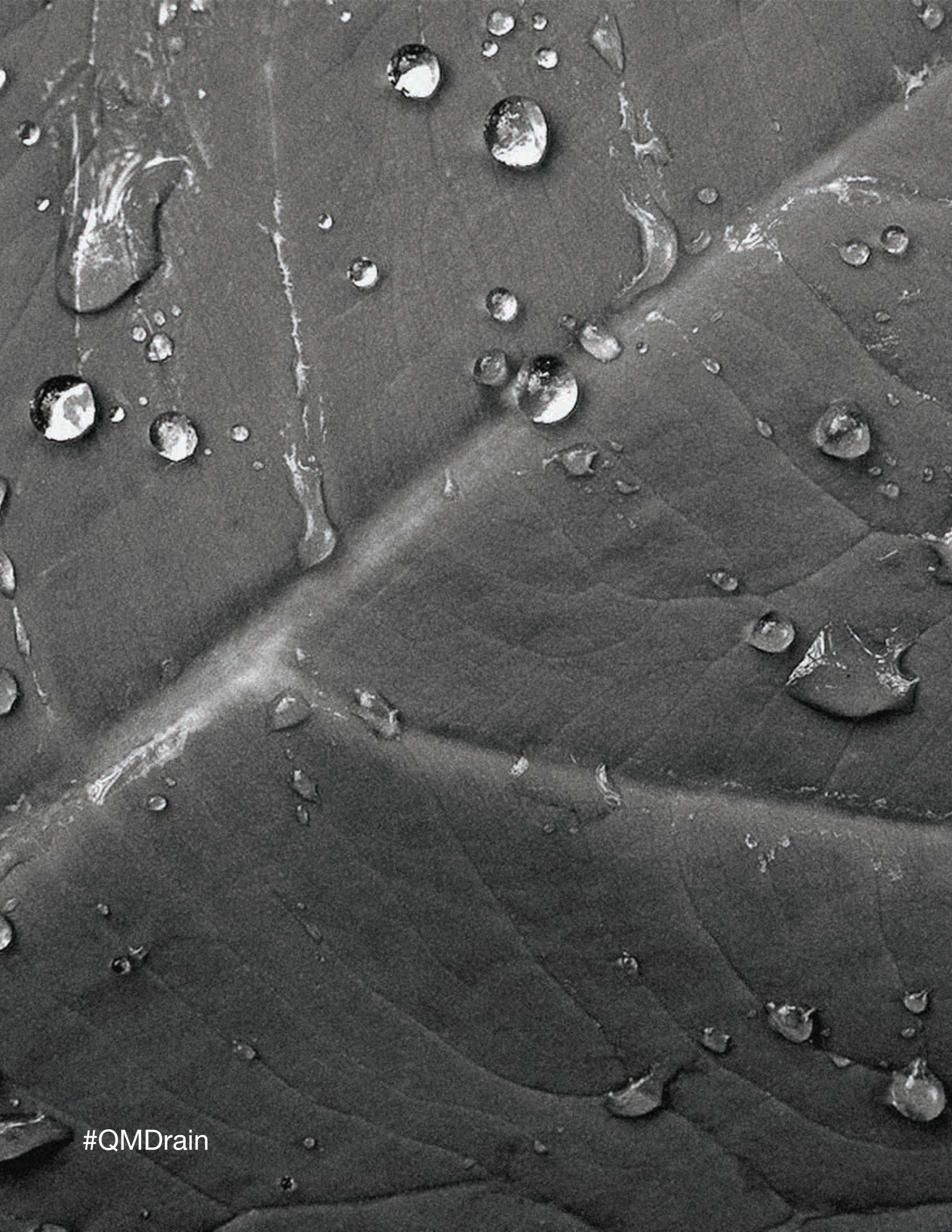
	Page
Delmar Supreme	12
Delmar Adjustable with 2" Outlet	24
Delmar Adjustable with 3" Outlet (High Flow)	24
Delmar Standard Length	34
Delmar Standard Length with Flange Edge	34
Lagos Adjustable with 2" Outlet	66
Lagos Adjustable with 3" Outlet (High Flow)	66
Lagos Veil Linear Drain	74
Bay 2 in 1	92
Bay Linear Drain	96

Center Drains

	Page
Delmar Square	52
Lagos Square	80
Bay Square and Round (International Only)	102

Additional

	Page
Components	104
FAQ's	106
Technical Information	108
Installation Instructions	134



#QMDrain



Our Philosophy

QM Drain is a member of the Quality Metal Group family with over 18 years of experience committed to the best product design using the highest quality Stainless Steel.

Dedicated to eco-friendly manufacturing a complete line of drains for use from your shower to your pool.

With headquarters in Florida, USA, and distribution in more than 27 countries, QM has been selected for numerous high-profile projects, in several countries.

QM Drain offers a wide range of linear and center drains in 3 series, Delmar, Lagos, and Bay. Bringing technologic innovations through simplification, quick installation, and guaranteed performance.

Our most recent award-winner, SUPREME, sets a new benchmark for linear drains.

QM Drain is innovation, quality, and service!



Code Approval

QM products meet code approval in the United States and Canada per ASME Standard ASME A 112.18.2-2011/CSA B 125.2-11. Our products were tested in CSA's laboratory to meet the above standards. Additionally, these standards are recognized in the Uniform Plumbing Code (UPC) for Plumbing Waste Fittings.



THE PASSION FOR STAINLESS STEEL

QM DRAIN chooses AISI 316/L stainless steel to shape its own ideas. Stainless steel AISI 316/L is a guarantee of quality and sustainability and is widely considered an ecological material if mechanically manufactured. An inert material that does not release toxic or harmful substances, the stainless steel combines the high level of hygiene, understood as antibacterial efficacy, with the resistance to corrosion thanks to the self-protective film that protects it when in contact with air. QM DRAIN adopts handmade finishes for its series obtained by smoothing, polishing and brushing. The wisdom and experience of QM DRAIN'S craftsmanship ensures a quality product.



TECHNOLOGICAL INNOVATION

QM DRAIN (Quality Metal Drain) invests its know how in the research and development of technological solutions for project design. The origins of its expertise trace back to its experiences in the plumbing and installation planning fields, combining technical know-how and architectural demands. The internal research into the product and its peculiarities is careful and aims at supporting the construction work, through simplification, rapid installation and guaranteed operation.



DESIGN & PRODUCTION

Sleek and geometric lines demonstrate a deep knowledge of design and can dialogue with architecture beyond time. QM production process is characterized by precision, simplicity, and craftsmanship that guides innovation and sustainability.

Our Passion for Stainless Steel



ECO-FRIENDLY PRODUCT

The distinctive hardness of the AISI 316/L stainless steel guarantees long life of QM DRAIN products and resistance to scratches, external agents, salt and sulfur waters. The characteristics of the material represent the primary guarantee of QM DRAIN products: quality, durability and eco-friendly.



TOTALLY RECYCLABLE

QM DRAIN chooses AISI 316/L stainless steel, a totally recyclable and highly performing material. The raw material, characterized by low levels of carbon, is carefully selected and enables QM DRAIN not to involve hot melting, painting, galvanic treatment or other chemical processes during production. Resulting QM DRAIN drains do not release any toxic elements into water, are highly hygienic and totally recyclable.



LOW ENVIRONMENTAL IMPACT

QM DRAIN adopts only cold working methods for stainless steel and does not influence global warming. Thanks to precision CNC machines (lathes, milling and laser cutting) the quality of the production process achieves excellent results. Finishes are also obtained through environmentally friendly mechanical processes.

QM stainless steel Bronze, ORB and Satin Gold finishes are obtained by Physical Vapor Deposition (PVD) coating process of vaporizing a solid metal to a plasma of atoms or molecules, vapor that can be deposited as a high performance coating on wide variety of substrates. The result is a superior wear, corrosion and chemical resistance, high hardness and environmentally friendly process.



1. BEYOND QUALITY

Never compromise in quality and offer only the best.

2. TRENDING DESIGNS

In tune with time, because changes are unstoppable.

3. QUALITY CONTROL

We take pride in every detail, craftsmanship ensures a quality product.

4. TECHNOLOGICAL INNOVATION

Through simplification, rapid installation, and guaranteed operation.

5. ENERGETIC TEAM

As a team, we bring experiences, challenges, and responsibility to each product.

10 Reasons to Choose QMDrain

6. PRESERVE THE ENVIRONMENT

We always use recyclable and Eco-friendly materials.

7. PASSION FOR STAINLESS STEEL

We choose **Stainless Steel 316**, the highest corrosion resistance material, to shape our ideas.

8. HIGH LEVEL OF EXPERTISE

More than 18 years dedicated to design and manufacturing using stainless steel.

9. CUSTOMER SERVICE

We talk with the client, we listen to their opinions, and we take care of their needs.

10. DIGITAL PRESENCE

#QMDrain
#DesignThatWorks
#StainlessSteel316

  QM Drain  qmdrain



#StainlessSteel316



Delmar Series

Delmar is our crown jewel. It is the perfect combination of unique modern design and the highest quality you will find in the industry.

Delmar offers you the only line of drains made entirely of **Stainless Steel Marine 316**, from top to bottom, for unmatched corrosion resistance and minimum maintenance.

It gives you the most design freedom through our wide variety of options:

- Supreme linear drains
- Adjustable and custom linear drains
- Standard length linear drains
- Square drains



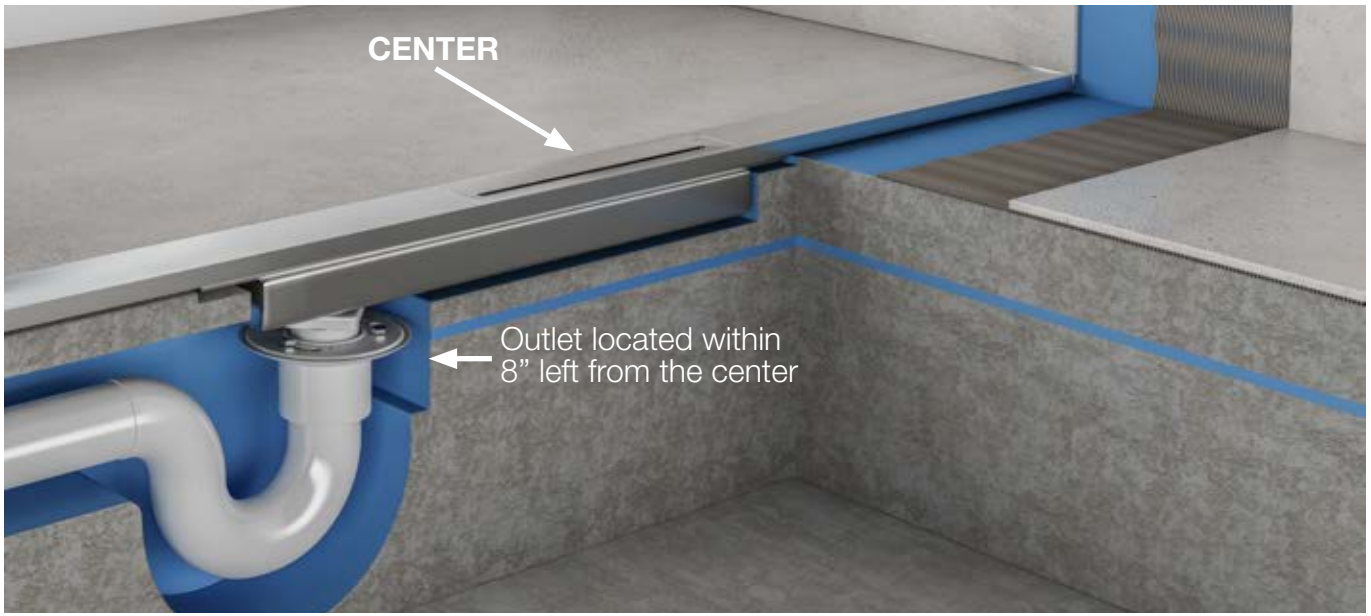




SUPREME HAS SET A NEW BENCHMARK IN SHOWER DRAINS



SUPREME revolutionizes
the installation of linear drains





SUPREME.
More than design

VERSATILITY & FLEXIBILITY

SUPREME is a unique linear shower drain that solves one of the biggest problems facing installers and plumbers in both construction and remodeling, eliminating the need to relocate existing plumbing when the water outlet is located a few inches off-center.

This awarded and innovative product offers an independent base that houses an internal rail system which enables the grate to be in a different position than the base and the outlet, allowing a quick and easy installation. Its superior design provides a flexible 8-inch range from the center of the shower, allowing you to center your drain without moving the existing pipe.



Removable grate allows access to the base.

Grate can be cut to a specific length.

Drain base has an offset 2" outlet. This feature allows you to rotate the base to accommodate a left or right position and the sliders adjust to connect the grate in a different position than the outlet.



Watch video



One drain channel...
four grates sizes, four finishes, all the possibilities.







Delmar Series

SUPREME.

Inspired by the wild imagination of the seas



Accessories included



Hair Strainer



Threaded Nipple



Key



Stainless Steel Blade



Level



Sikaflex



Wedges

Finishes



Satin



Polished



Satin Gold



ORB/ Black

Material Stainless Steel Marine 316.
Install with standard waterproofing methods.

SKU

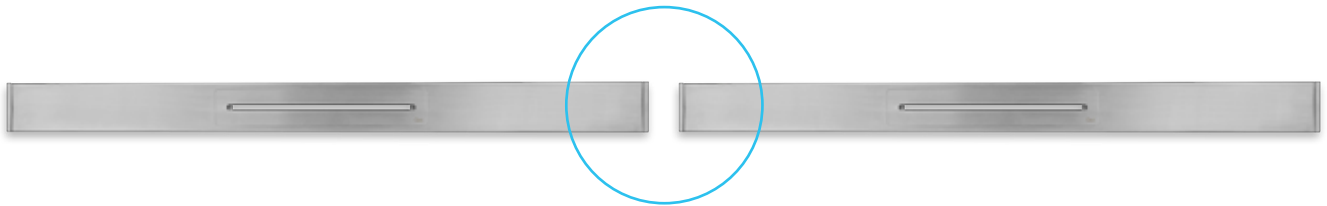
		Satin	Polished	Gold	ORB/Black
Length	30"	33.800.30	33.800.30 P	33.800.30 G	33.800.30 ORB
	40"	33.800.40	33.800.40 P	33.800.40 G	33.800.40 ORB
	50"	33.800.50	33.800.50 P	33.800.50 G	33.800.50 ORB
	60"	33.800.60	33.800.60 P	33.800.60 G	33.800.60 ORB







MATERIAL AND CUSTOMIZATION

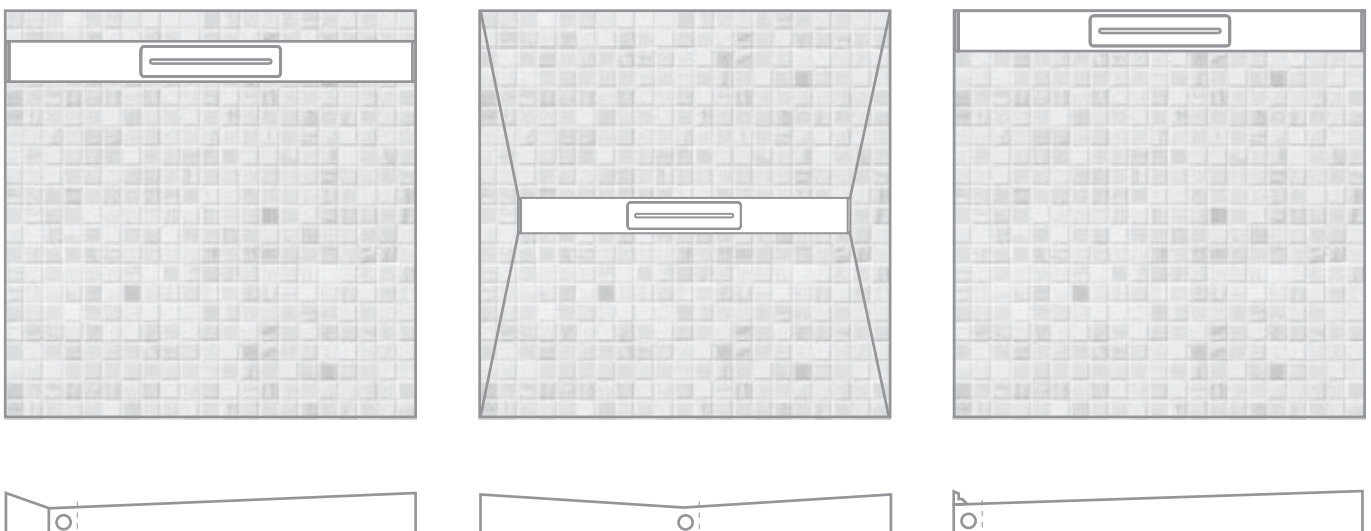


The design and flexibility of Supreme is perfect for large showers and spas. The grate can be cut to your specific length and multiple drains can be aligned to accommodate multiple outlets.



SUPREME is shaped using stainless steel 316. This marine grade stainless steel is the highest corrosion-resistant metal on the market. It resists extreme moisture and abrasive household cleaners, making it the best choice for your shower. Eco-friendly and 100% recyclable.

SUGGESTED POSITION IN THE SHOWER AND SLOPE



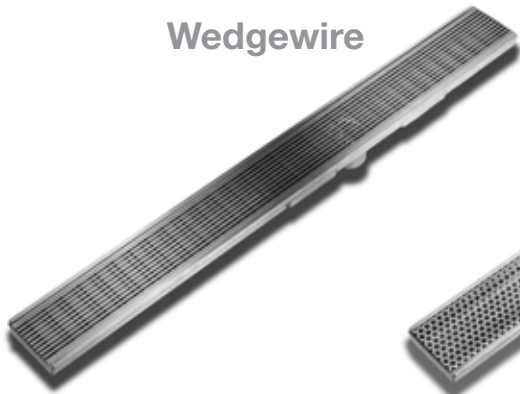




Delmar Series Adjustable Linear Drain

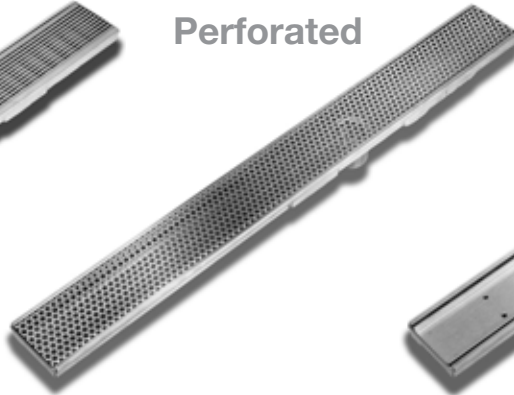
Custom Colors Available

Wedgewire



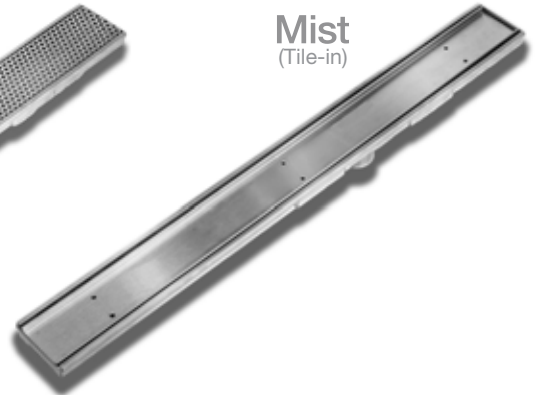
Satin & Polished

Perforated



Satin & Polished

Mist
(Tile-in)

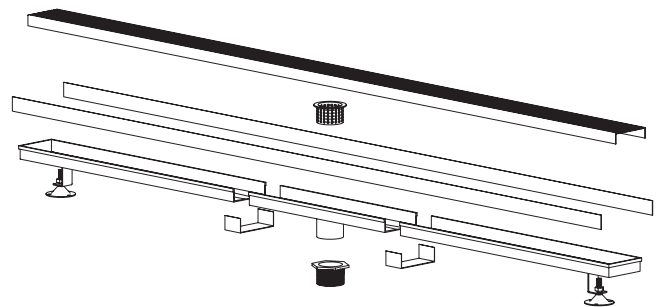


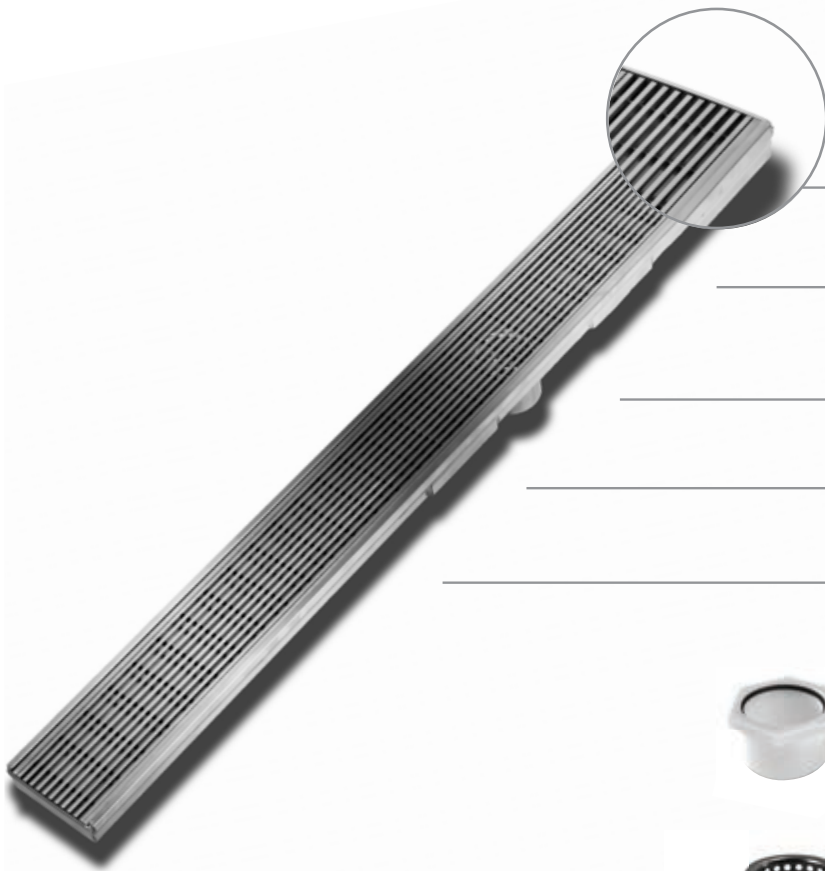
Satin & Polished

Sizes Available: 36" to 96"

Kit Includes: Base, Grate, Trim, Joiners, Outlet, Threaded Nipple, Hair Strainer, Sikaflex Sealant, Adjustable Feet, Lifting Key and Stainless Steel Cutting Blade.

Note: For Indoor and Outdoor use. Create any length by connecting multiple kits.





Frame prevents damage to the grout when the grate is removed.

Base length can be adjusted and outlet placed on site.

2" or 3" High Flow Outlet pipe, can be placed anywhere on the base.

Joiners used to attach base and outlet.

Trims cover the edge of the base, so the joints are not visible.



Threaded Nipple with gasket used to install the drain into the flange, helps adjust the height and threads into most 2" or 3" ABS, PVC, and Cast Iron Flanges.



Hair Strainer fits inside the drain to collect hair and other debris, preventing pipe clogs. Also, keeps insects and small rodents from coming up through the sewage system.



Leveling Feet keep the drain channel in the correct position and level during installation.



Lifting Key assists with grate removal.



Corner* needed when connecting two bases in a 90 degrees angle.
 (*) Corner accessory sold separately



Watch video

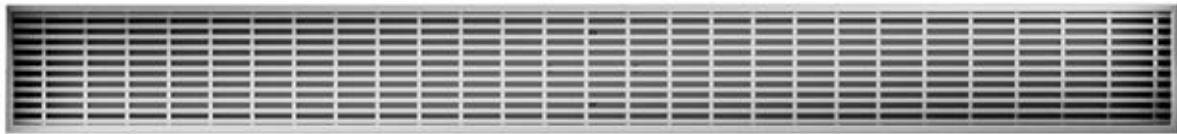




DelmarSeries

WEDGEWIRE

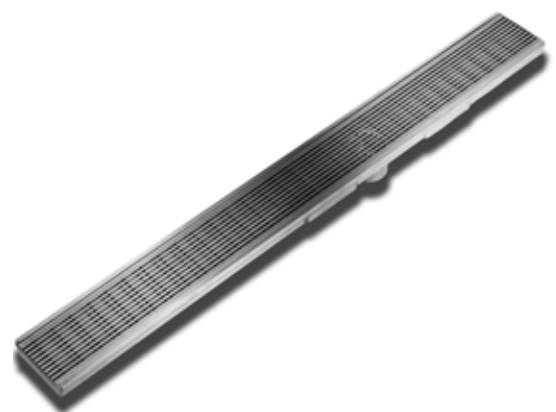
Influenced by naturally exposing forms and pushing raw materials beyond the wire



Accessories included

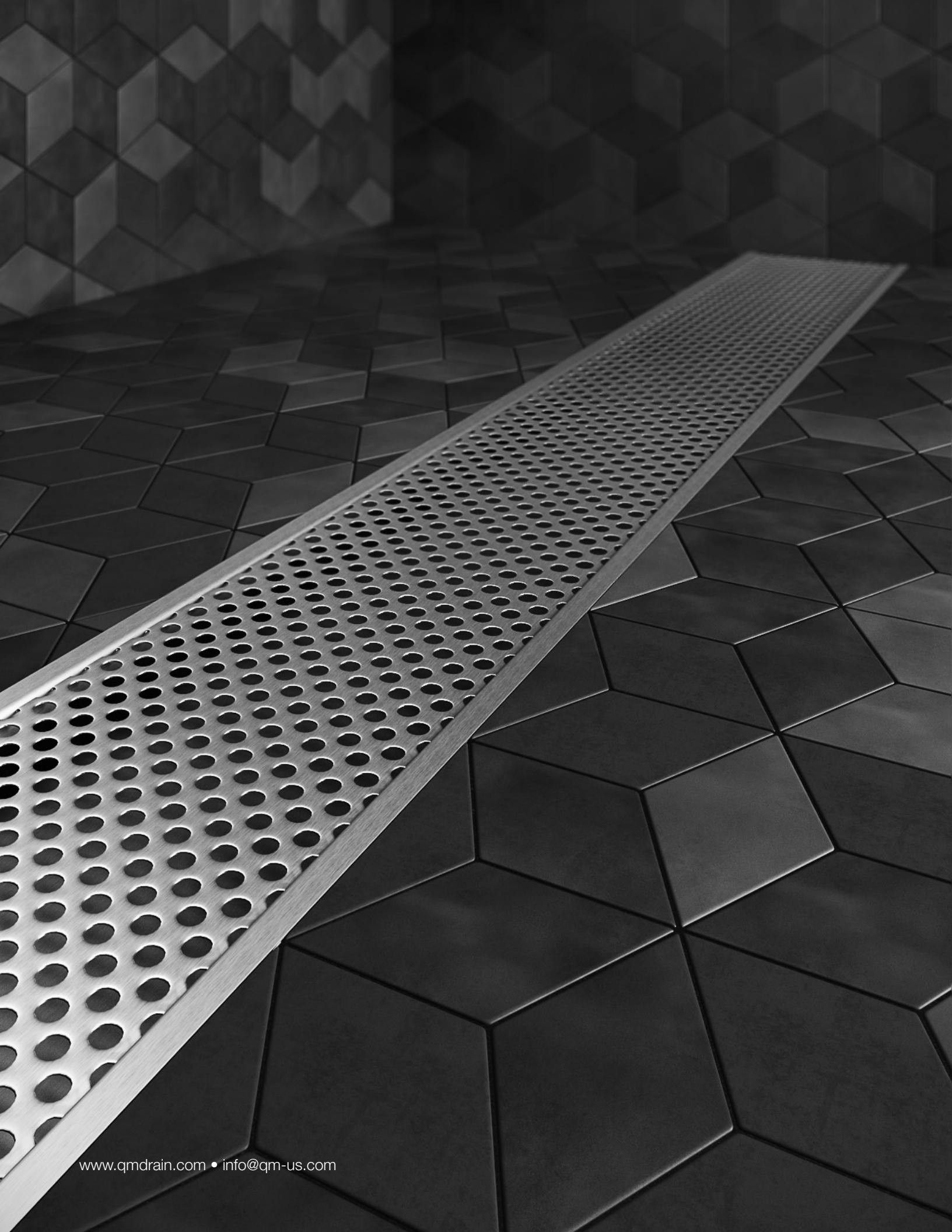


Material: Stainless Steel Marine 316.
Install with standard waterproofing methods.
Finishes: Satin & Polished.



SKU	KIT WITH 2" OUTLET		KIT WITH 3" HIGH FLOW OUTLET	
	Satin	Polished	Satin	Polished
Length 36"	33.610.36	33.610.36 P	33.610.36 HF	33.610.36 P HF
48"	33.610.48	33.610.48 P	33.610.48 HF	33.610.48 P HF
60"	33.610.60	33.610.60 P	33.610.60 HF	33.610.60 P HF
72"	33.610.72	33.610.72 P	33.610.72 HF	33.610.72 P HF
96"	33.610.96	33.610.96 P	33.610.96 HF	33.610.96 P HF

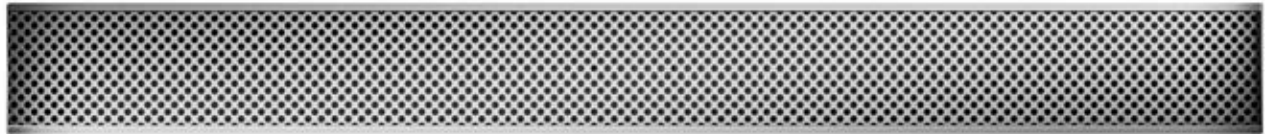
Note: Choose the kit with equal or greater size than the length wanted; for longer lengths drain connect kits to build the desire length.



DelmarSeries

PERFORATED

Inspired by the thought of life connecting dots



Accessories included



Material: Stainless Steel Marine 316.
Install with standard waterproofing methods.

Finishes: Satin & Polished.

SKU	KIT WITH 2" OUTLET		KIT WITH 3" HIGH FLOW OUTLET	
	Satin	Polished	Satin	Polished
Length 36"	33.620.36	33.620.36 P	33.620.36 HF	33.620.36 P HF
48"	33.620.48	33.620.48 P	33.620.48 HF	33.620.48 P HF
60"	33.620.60	33.620.60 P	33.620.60 HF	33.620.60 P HF
72"	33.620.72	33.620.72 P	33.620.72 HF	33.620.72 P HF
96"	33.620.96	33.620.96 P	33.620.96 HF	33.620.96 P HF

Note: Choose the kit with equal or greater size than the length wanted; for longer lengths drain connect kits to build the desire length.



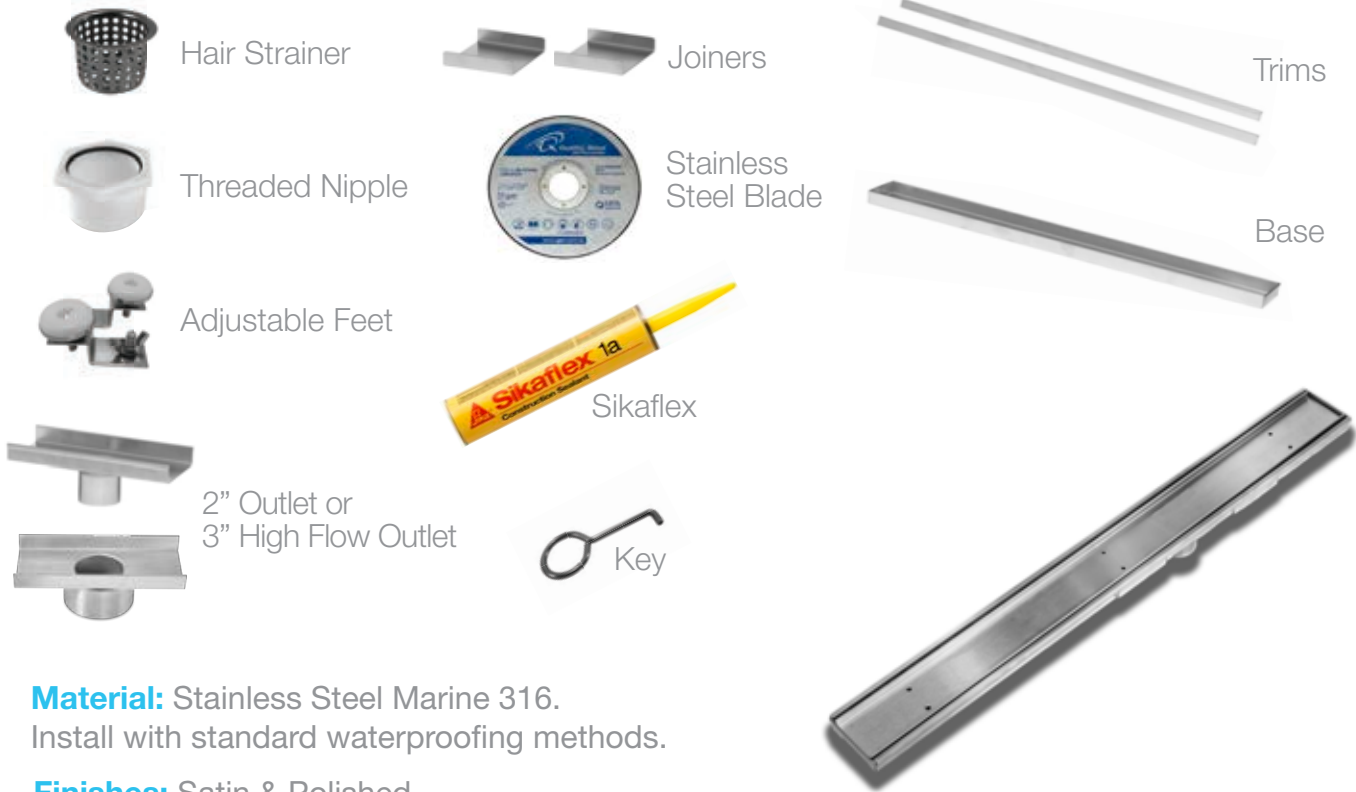
DelmarSeries

MIST (Tile-in)

A tribute to the way water disguises everything around us in nature



Accessories included



Material: Stainless Steel Marine 316.
Install with standard waterproofing methods.
Finishes: Satin & Polished.

SKU	KIT WITH 2" OUTLET		KIT WITH 3" HIGH FLOW OUTLET		
	Satin	Polished	Satin	Polished	
Length	36"	33.630.36	33.630.36 P	33.630.36 HF	33.630.36 P HF
	48"	33.630.48	33.630.48 P	33.630.48 HF	33.630.48 P HF
	60"	33.630.60	33.630.60 P	33.630.60 HF	33.630.60 P HF
	72"	33.630.72	33.630.72 P	33.630.72 HF	33.630.72 P HF
	96"	33.630.96	33.630.96 P	33.630.96 HF	33.630.96 P HF

Note: Choose the kit with equal or greater size than the length wanted; for longer lengths drain connect kits to build the desire length.

Delmar Series

Standard Linear Drain

Custom Colors Available

Wedgewire



Satin & Polished

Delta



Satin & Polished

Mist
(Tile-in)

**



Satin & ORB/Black

Kai*



Satin

Nami*



Satin

Lotus**

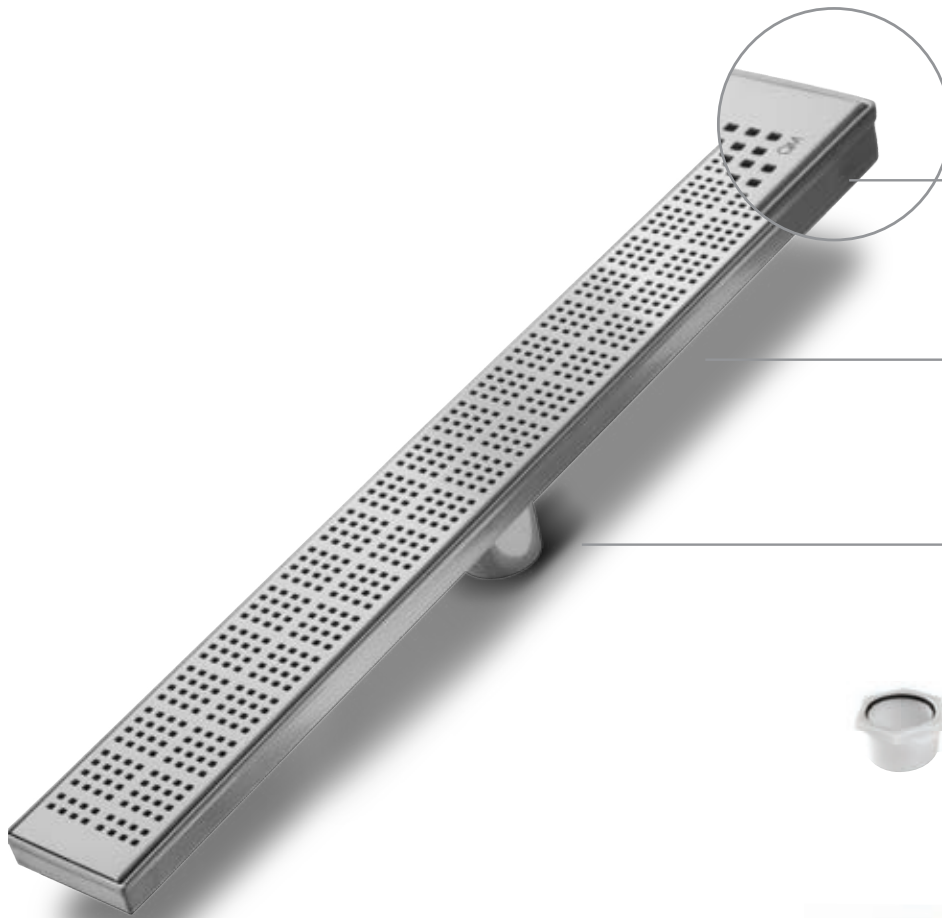


Bronze, ORB/Black
& Satin Gold

Sizes Available: 24" to 58"

(*) Sizes Available 24" to 36"

(**) Only Plain Edge Base Available



Frame prevents damage to the grout when the grate is removed.

Base pre-pitched drain base eliminates the ponding of water. Allows water to flow properly to outlet.

Outlet centrally located 2" outlet pipe.

Threaded Nipple with gasket used to install the drain into the flange, helps adjust the height and threads into most 2" ABS, PVC, and Cast Iron Flanges.



Hair Strainer fits inside the drain to collect hair and other debris, preventing pipe clogs. Also, keeps insects and small rodents from coming up through the sewage system.



Leveling Feet keep the drain channel in the correct position and level during installation.



Lifting Key assists with grate removal.



BASES AVAILABLE

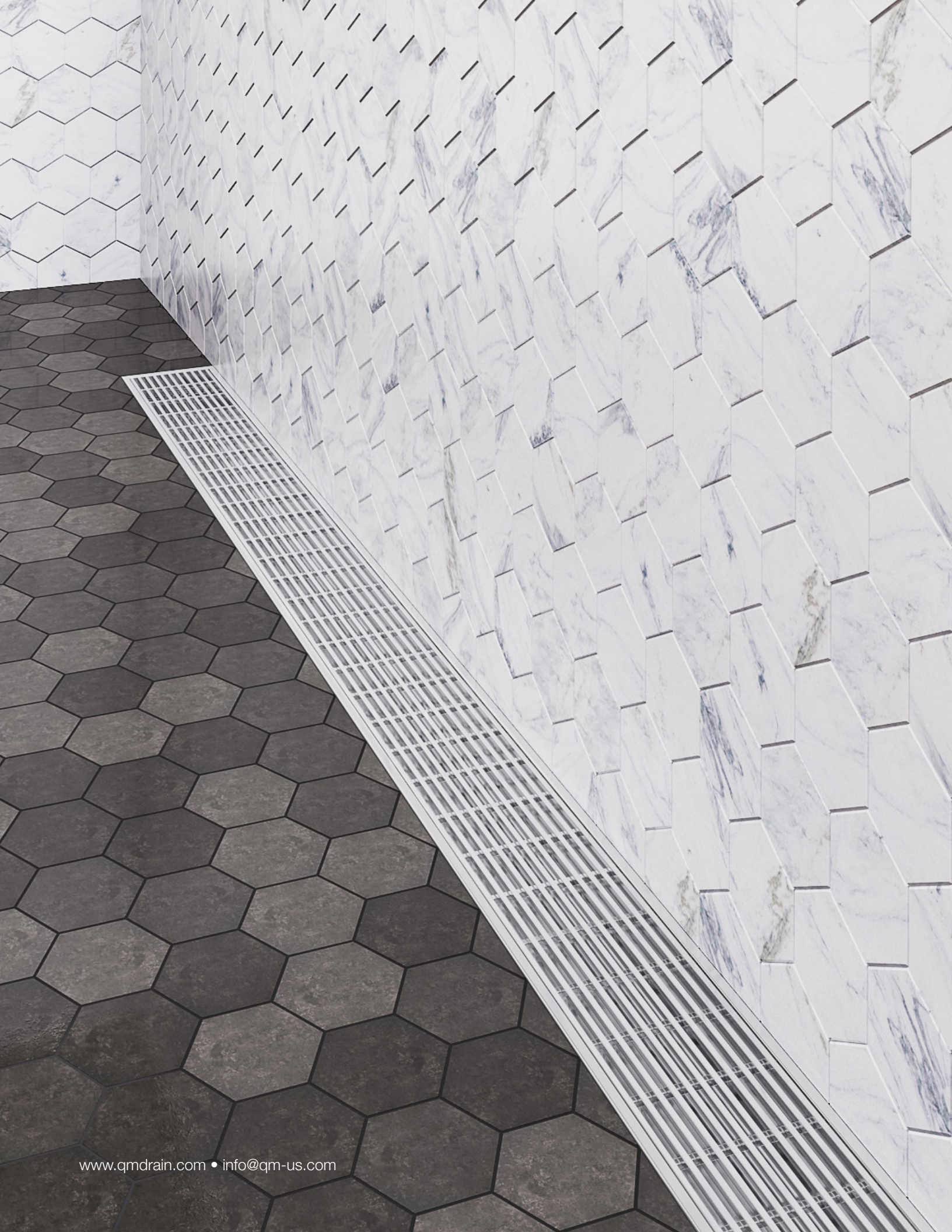
Plain Edge: waterproofing is installed before the drain is connected.



Flange Edge: waterproofing is installed over the edge of the drain base after the drain is connected.



Watch video



DelmarSeries

WEDGEWIRE

Influenced by naturally exposing forms and pushing raw materials beyond the wire



Accessories included



Hair Strainer



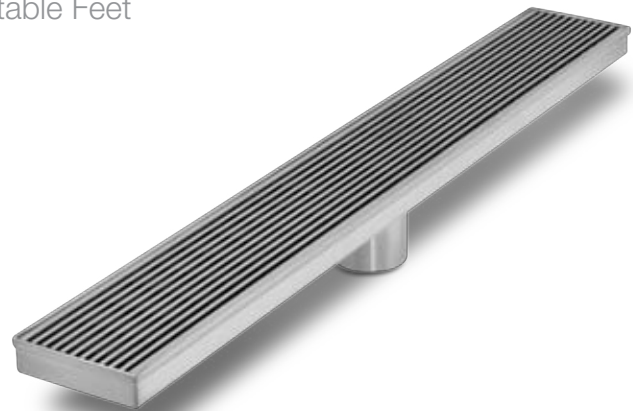
Adjustable Feet



Threaded Nipple



Key



Material: Stainless Steel Marine 316.
Install with standard waterproofing methods.

Finishes: Satin & Polished.

SKU	PLAIN EDGE BASE		FLANGE EDGE BASE	
	Satin	Polished	Satin	Polished
24"	33.700.02	33.700.02 P	33.700.02 F	33.700.02 P F
28"	33.700.03	33.700.03 P	33.700.03 F	33.700.03 P F
32"	33.700.04	33.700.04 P	33.700.04 F	33.700.04 P F
36"	33.700.05	33.700.05 P	33.700.05 F	33.700.05 P F
48"	33.700.06	33.700.06 P	33.700.06.F	33.700.06 P F
58"	33.700.07	33.700.07 P	33.700.07 F	33.700.07 P F



DelmarSeries

DELTA

Inspired by the strong and determined way a river flows into the ocean



Accessories included



Hair Strainer



Adjustable Feet



Threaded Nipple



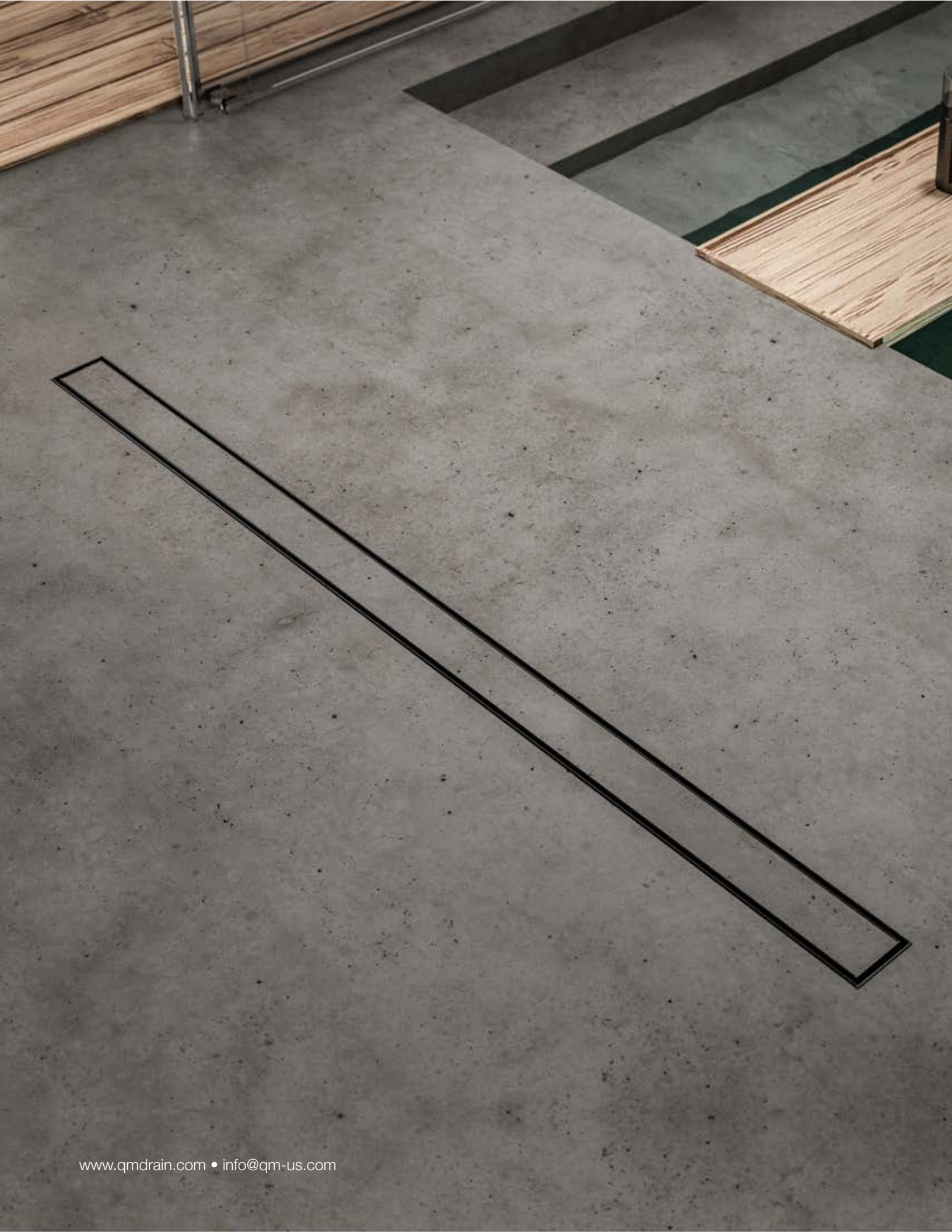
Key



Material: Stainless Steel Marine 316.
Install with standard waterproofing methods.

Finishes: Satin & Polished.

SKU	PLAIN EDGE BASE		FLANGE EDGE BASE	
	Satin	Polished	Satin	Polished
24"	33.300.02	33.300.02 P	33.300.02 F	33.300.02 P F
28"	33.300.03	33.300.03 P	33.300.03 F	33.300.03 P F
32"	33.300.04	33.300.04 P	33.300.04 F	33.300.04 P F
36"	33.300.05	33.300.05 P	33.300.05 F	33.300.05 P F
48"	33.300.06	33.300.06 P	33.300.06.F	33.300.06 P F
58"	33.300.07	33.300.07 P	33.300.07 F	33.300.07 P F



DelmarSeries

MIST (Tile-in)

A tribute to the way water disguises everything around us in nature



Accessories included



Hair Strainer



Adjustable Feet



Threaded Nipple



Key



Material: Stainless Steel Marine 316.
Install with standard waterproofing methods.

Finishes: Satin & ORB/Black.

SKU	PLAIN EDGE BASE		FLANGE EDGE BASE
	Satin	ORB/Black	Satin
Length 24"	33.500.02	33.500.02 ORB	33.500.02 F
28"	33.500.03	33.500.03 ORB	33.500.03 F
32"	33.500.04	33.500.04 ORB	33.500.04 F
36"	33.500.05	33.500.05 ORB	33.500.05 F
48"	33.500.06	33.500.06 ORB	33.500.06.F
58"	33.500.07	33.500.07 ORB	33.500.07 F



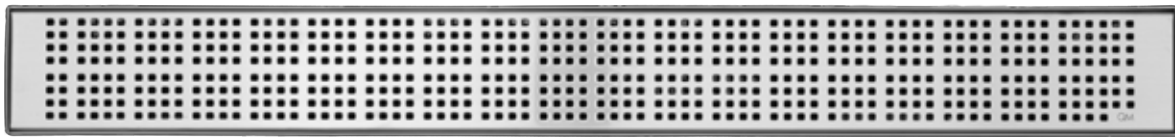




DelmarSeries

KAI

From the word sea in Hawaiian, Kai pays tribute to the tranquility and vastness of open sea



Accessories included



Hair Strainer



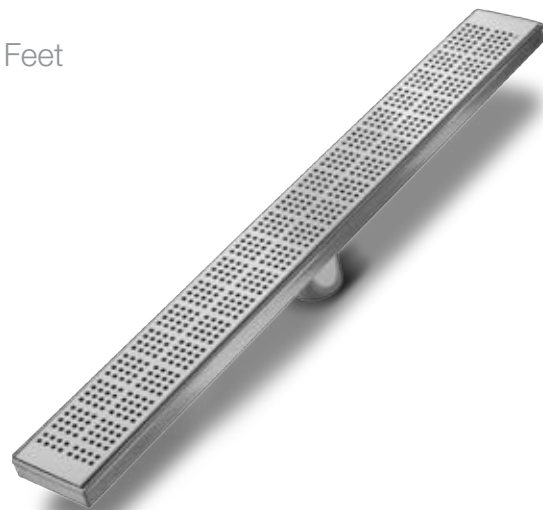
Adjustable Feet



Threaded Nipple



Key



Material: Stainless Steel Marine 316.
Install with standard waterproofing methods.

Finishes: Satin.

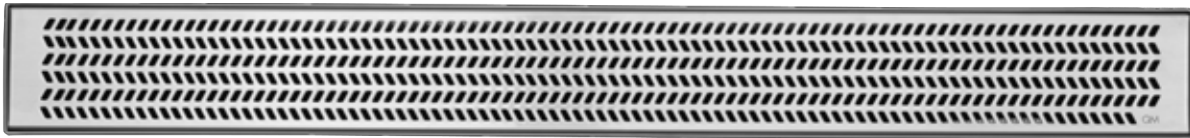
SKU		PLAIN EDGE BASE	FLANGE EDGE BASE
		Satin	Satin
Length	24"	33.200.02	33.200.02 F
	28"	33.200.03	33.200.03 F
	32"	33.200.04	33.200.04 F
	36"	33.200.05	33.200.05 F



DelmarSeries

NAMI

Named after the Japanese word for wave and inspired by beautiful ripple marks on a sandy beach



Accessories included



Hair Strainer



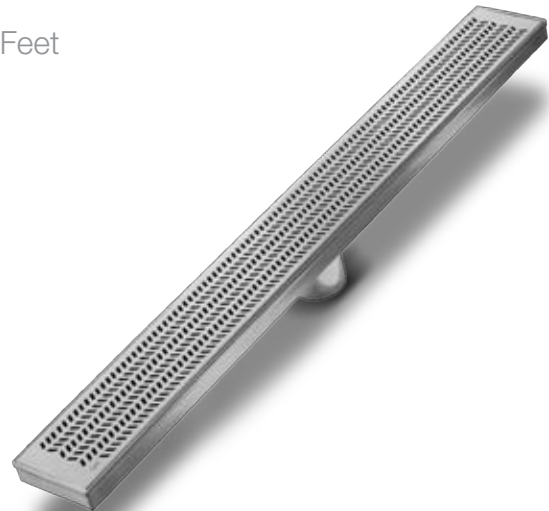
Adjustable Feet



Threaded Nipple



Key



Material: Stainless Steel Marine 316.
Install with standard waterproofing methods.

Finishes: Satin.

SKU		PLAIN EDGE BASE	FLANGE EDGE BASE
		Satin	Satin
	Length		
	24"	33.100.02	33.100.02 F
	28"	33.100.03	33.100.03 F
	32"	33.100.04	33.100.04 F
	36"	33.100.05	33.100.05 F



DelmarSeries

LOTUS

A design pure as a lotus, the most beautiful and exquisite flower to ever have grown in water



Accessories included



Hair Strainer



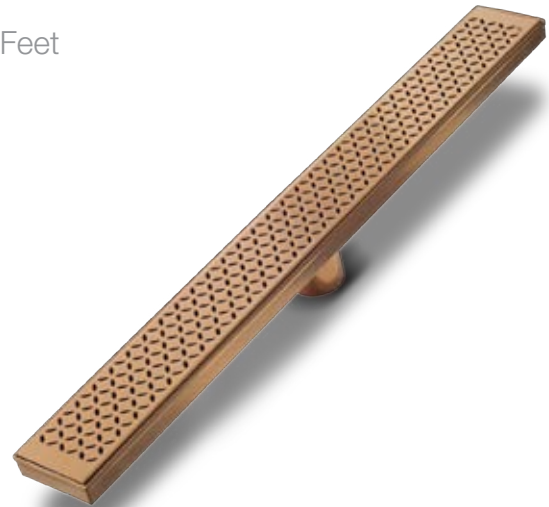
Adjustable Feet



Threaded Nipple



Key



Material: Stainless Steel Marine 316.
Install with standard waterproofing methods.

Finishes: Bronze, ORB/Black & Satin Gold.

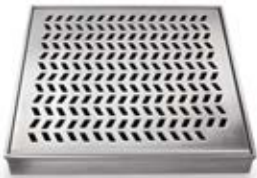
SKU	PLAIN EDGE BASE			
		Bronze	ORB/Black	Satin Gold
Length	24"	33.400.02	33.400.02 ORB	33.400.02 G
	28"	33.400.03	33.400.03 ORB	33.400.03 G
	32"	33.400.04	33.400.04 ORB	33.400.04 G
	36"	33.400.05	33.400.05 ORB	33.400.05 G
	48"	33.400.06	33.400.06 ORB	33.400.06 G
	58"	33.400.07	33.400.07 ORB	33.400.07 G





Delmar Series \ Square Drain

Nami



Satin

Mist
(Tile-in)



Satin

Kai*



Satin

Delta



Satin

Lotus



Bronze



Polished



Satin Gold



ORB/Black

Sizes Available: 4" x 4" or 5 3/4" x 5 3/4"

(* **New Size:** 8" x 8" High Flow (3" Outlet)



Frame prevents damage to the grout when the grate is removed.

Base pre-pitched drain eliminates the ponding of water. Allows water to flow properly to outlet.

Threaded Outlet fits into most 2" ABS, PVC, and Cast Iron Flanges.



Hair Strainer fits inside the drain to collect hair and other debris, preventing pipe clogs. Also, keeps insects and small rodents from coming up through the sewerage system.



Lifting Key assists with grate removal.



Watch video



DelmarSeries

DELTA

Inspired by the strong and determined way a river flows into the ocean



Accessories included



Hair Strainer



Key

Material: Stainless Steel Marine 316.
Install with standard waterproofing methods.

Finishes: Satin & Polished.

SKU		Satin	Polished
Size	4" x 4"	33.300.00	33.300.00 P
	5¾" x 5¾"	33.300.01	33.300.01 P



DelmarSeries

MIST (Tile-in)

A tribute to the way water disguises everything around us in nature



Accessories included



Hair Strainer



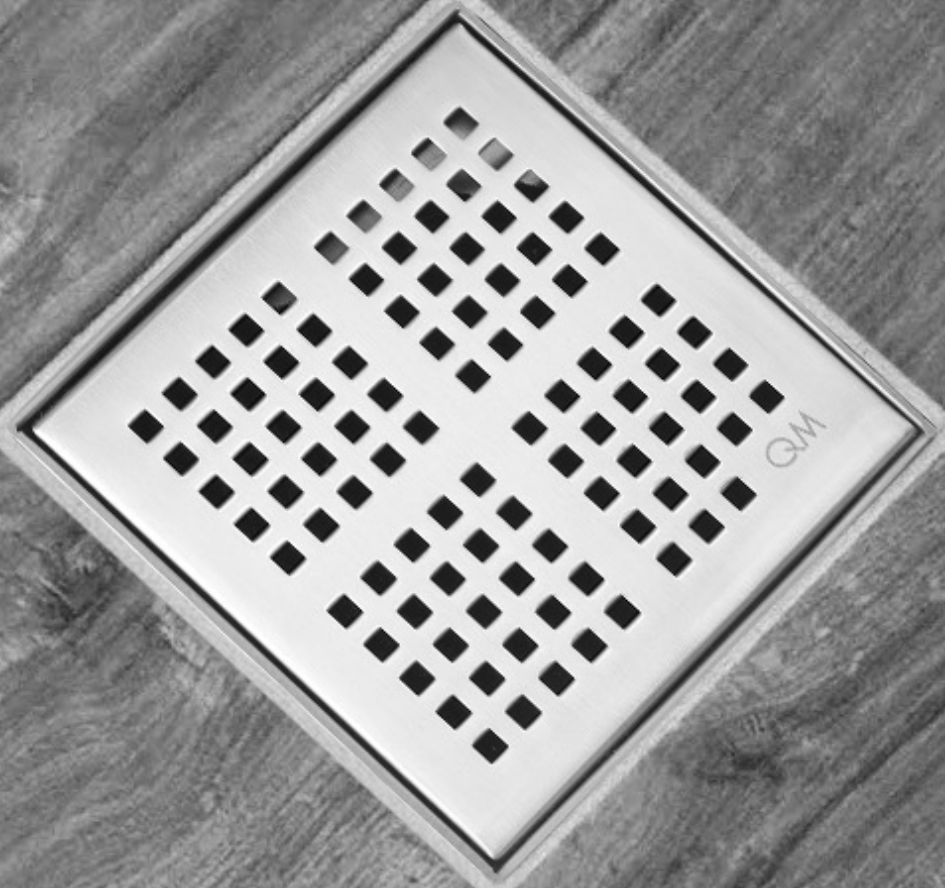
Key

Material: Stainless Steel Marine 316.
Install with standard waterproofing methods.

Finishes: Satin.

SKU

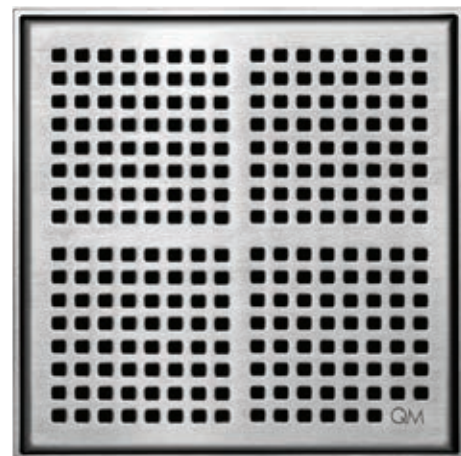
		Satin
Size	4" x 4"	33.500.00
	5 ³ / ₄ " x 5 ³ / ₄ "	33.500.01



DelmarSeries

KAI

From the word sea in Hawaiian, Kai pays tribute to the tranquility and vastness of open sea



Accessories included



Hair Strainer



Key

Material: Stainless Steel Marine 316.
Install with standard waterproofing methods.

Finishes: Satin.

SKU		
		Satin
Size	4" x 4"	33.200.00
	5¾" x 5¾"	33.200.01
	8" x 8"	33.200.08 HF (3"Outlet)



DelmarSeries

NAMI

Named after the Japanese word for wave and inspired by beautiful ripple marks on a sandy beach



Accessories included



Hair Strainer



Key

Material: Stainless Steel Marine 316.
Install with standard waterproofing methods.

Finishes: Satin.

SKU

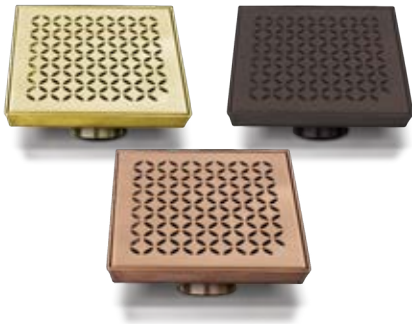
		Satin
Size	4" x 4"	33.100.00
	5¾" x 5¾"	33.100.01



DelmarSeries

LOTUS

A design pure as a lotus, the most beautiful and exquisite flower to ever have grown in water



Accessories included



Hair Strainer



Key



Material: Stainless Steel Marine 316.
Install with standard waterproofing methods.

Finishes: Bronze, ORB/Black & Satin Gold.

SKU		Bronze	ORB/Black	Satin Gold
Size	4" x 4"	33.400.00	33.400.00 ORB	33.400.00 G
	5 3/4" x 5 3/4"	33.400.01	33.400.01 ORB	33.400.01 G



#MoreThanDesign



Lagos Series

Lagos drains are built with the perfect combination of a 100% **Stainless Steel Marine 316** frame and grate, which guarantees the best durability and resistance to corrosion produced by cleaning and water softener chemicals and a base made of **ABS/PVC plastic**, known for being tough, rigid, & chemical resistant.

Lagos is our most cost-effective series of center and linear drains that allows you to enjoy a unique modern design, available in:

- Adjustable linear drains
- Linear Drain
- Center drains



+
**ABS/PVC
Base**

Lagos Series

Adjustable Linear Drain

Custom Colors Available

Wedgewire



Satin & Polished

Perforated



Satin & Polished

Mist
(Tile-in)

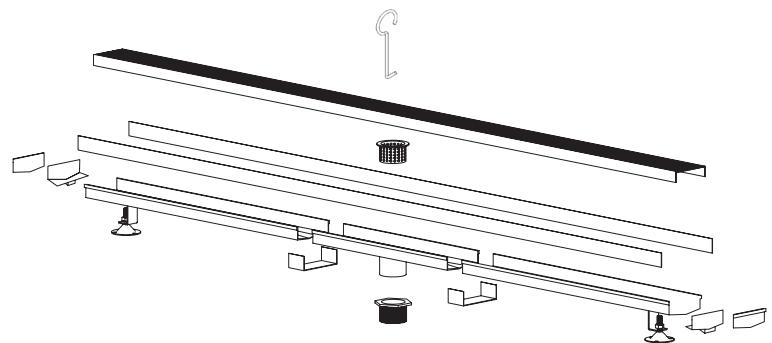


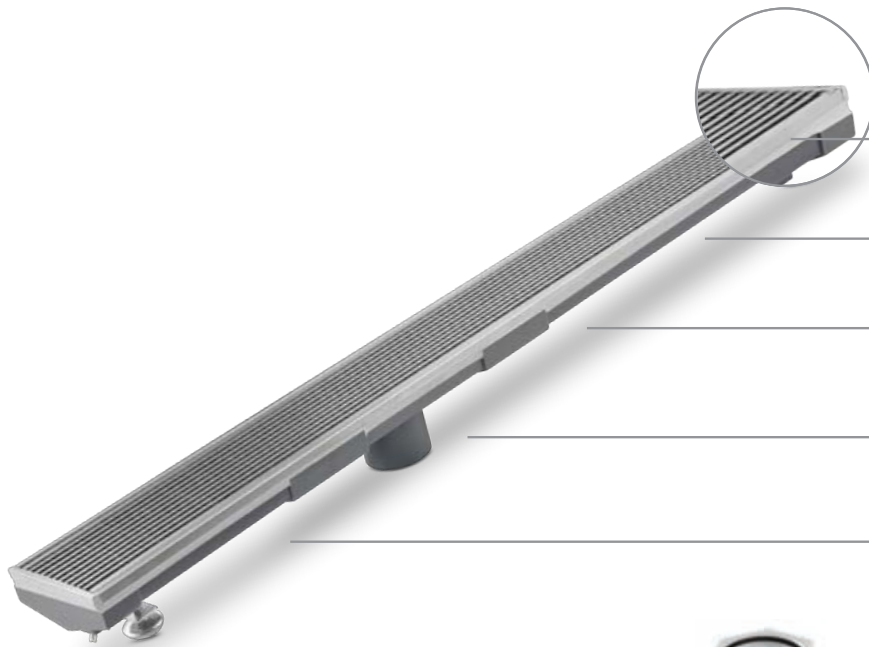
Satin & Polished

Sizes Available: 36" to 96"

Kit Includes: Base, Grate, Trim, Joiners, Outlet, Threaded Nipple, Hair Strainer, Adjustable Feet, Lifting Key and Stainless Steel Cutting Blade.

Note: For Indoor and Outdoor use. Create any length by connecting multiple kits.





Frame prevents damage to the grout when the grate is removed.

Base length can be adjusted and outlet placed on site.

Joiners used to attach base and outlet.

2" or 3" High Flow Outlet pipe, can be placed anywhere on the base.

Trims cover the edge of the base, so the joints are not visible.



Threaded Nipple with gasket used to install the drain into the flange, helps adjust the height and threads into most 2" or 3" ABS, PVC, and Cast Iron Flanges.



Hair Strainer fits inside the drain to collect hair and other debris, preventing pipe clogs. Also, keeps insects and small rodents from coming up through the sewage system.



Leveling Feet keep the drain channel in the correct position and level during installation.



Lifting Key assists with grate removal.



Corner* needed when connecting two bases in a 90 degrees angle.
 (*) Corner accessory sold separately



+
PVC Base



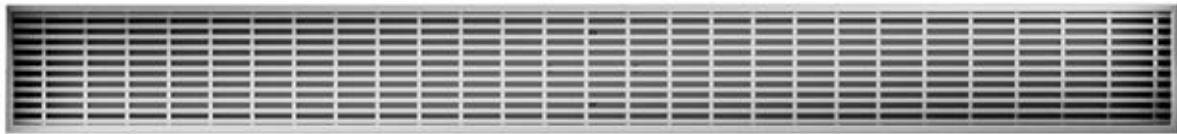
Watch video



LagosSeries

WEDGEWIRE

Influenced by naturally exposing forms and pushing raw materials beyond the wire



Accessories included



Hair Strainer



Joiners



Base



Threaded Nipple



Stainless Steel Blade



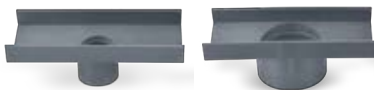
Trims



Adjustable Feet



Key



2" Outlet or 3" High Flow Outlet



Material: Stainless Steel Marine 316 Grate & Trims with PVC pre-pitched Drain Base. Install with standard waterproofing methods.

Finishes: Satin & Polished.

SKU	KIT WITH 2" OUTLET		KIT WITH 3" HIGH FLOW OUTLET		
	Satin	Polished	Satin	Polished	
Length	36"	88.610.36	88.610.36 P	88.610.36 HF	88.610.36 P HF
	48"	88.610.48	88.610.48 P	88.610.48 HF	88.610.48 P HF
	60"	88.610.60	88.610.60 P	88.610.60 HF	88.610.60 P HF
	72"	88.610.72	88.610.72 P	88.610.72 HF	88.610.72 P HF
	96"	88.610.96	88.610.96 P	88.610.96 HF	88.610.96 P HF

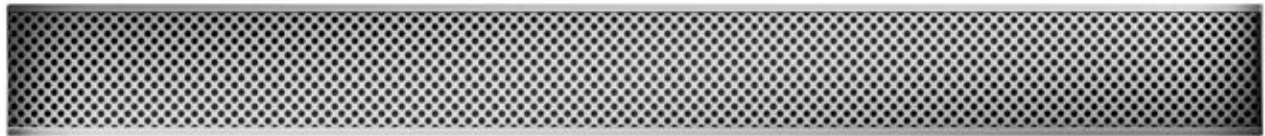
Note: Choose the kit with equal or greater size than the length wanted; for longer lengths drain connect kits to build the desire length.



LagosSeries

PERFORATED

Inspired by the thought of life connecting dots



Accessories included



Hair Strainer



Joiners



Base



Threaded Nipple



Stainless Steel Blade



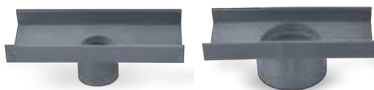
Trims



Adjustable Feet



Key



2" Outlet or 3" High Flow Outlet



Material: Stainless Steel Marine 316 Grate & Trims with PVC pre-pitched Drain Base. Install with standard waterproofing methods.

Finishes: Satin & Polished.

SKU	KIT WITH 2" OUTLET		KIT WITH 3" HIGH FLOW OUTLET		
	Satin	Polished	Satin	Polished	
Length	36"	88.620.36	88.620.36 P	88.620.36 HF	88.620.36 P HF
	48"	88.620.48	88.620.48 P	88.620.48 HF	88.620.48 P HF
	60"	88.620.60	88.620.60 P	88.620.60 HF	88.620.60 P HF
	72"	88.620.72	88.620.72 P	88.620.72 HF	88.620.72 P HF
	96"	88.620.96	88.620.96 P	88.620.96 HF	88.620.96 P HF

Note: Choose the kit with equal or greater size than the length wanted; for longer lengths drain connect kits to build the desire length.



LagosSeries

MIST (Tile-in)

A tribute to the way water disguises everything around us in nature



Accessories included



Hair Strainer



Joiners



Base



Threaded Nipple



Stainless Steel Blade



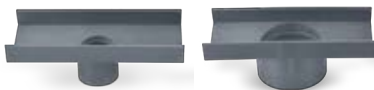
Trims



Adjustable Feet



Key



2" Outlet or 3" High Flow Outlet

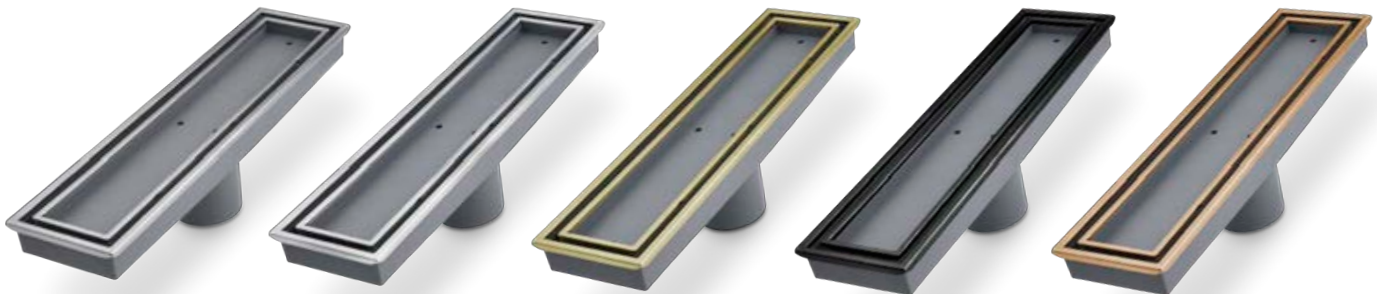


Material: Stainless Steel Marine 316 Grate & Trims with PVC pre-pitched Drain Base. Install with standard waterproofing methods.

Finishes: Satin & Polished.

SKU	KIT WITH 2" OUTLET		KIT WITH 3" HIGH FLOW OUTLET	
	Satin	Polished	Satin	Polished
Length 36"	88.630.36	88.630.36 P	88.630.36 HF	88.630.36 P HF
48"	88.630.48	88.630.48 P	88.630.48 HF	88.630.48 P HF
60"	88.630.60	88.630.60 P	88.630.60 HF	88.630.60 P HF
72"	88.630.72	88.630.72 P	88.630.72 HF	88.630.72 P HF
96"	88.630.96	88.630.96 P	88.630.96 HF	88.630.96 P HF

Lagos Series \ Veil Linear Drain



Satin

Polished

Satin Gold

ORB/Black

Bronze

Size Available: 12" x 3"

Kit Includes: Base, Grate, Threaded Nipple, Hair Strainer and Lifting Key.



Frame prevents damage to the grout when the grate is removed.

Grate and Frame made in Stainless Steel 316.

Base is made in ABS Plastic. ABS is known for being a tough, rigid and chemical resistance material.

Outlet centrally located 2" outlet pipe.



Threaded Nipple with gasket used to install the drain into the flange, helps adjust the height and threads into most 2" ABS, PVC, and Cast Iron Flanges.



Hair Strainer fits inside the drain to collect hair and other debris, preventing pipe clogs. Also, keeps insects and small rodents from coming up through the sewage system.



Lifting Key assists with grate removal.



+
ABS Base



LagosSeries

VEIL (Tile-in)

A tribute to the way water disguises everything around us in nature



Accessories included



Hair Strainer



Key



Threaded Nipple



Material: Stainless Steel Marine 316 Grate with ABS pre-pitched Drain Base. Install with standard waterproofing methods.

Finishes: Satin, Polished, Satin Gold, ORB/Black, & Bronze.

SKU		Satin	Polished	Satin Gold	ORB/Black	Bronze
Length	12" x 3"	88.L300.01	88.L300.02	88.L300.03	88.L300.04	88.L300.05





Lagos Series Square Drain

Tulia



Polished



Satin



Bronze

Mira



Polished



Satin



Satin Gold



ORB/Black



Bronze

Veil
(Tile-in)



Polished



Satin



Satin Gold



ORB/Black

Sizes Available: 4" x 4" or 5 3/4" x 5 3/4"

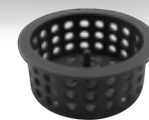


Frame prevents damage to the grout when the grate is removed.

Grate and Frame made in Stainless Steel 316.

Base is made in ABS Plastic. ABS is known for being a tough, rigid and chemical resistance material. Thread the QM drain base into the drain flange, adjust height as needed.

Threaded Outlet fits into most 2" ABS, PVC, and Cast Iron Flanges.



Hair Strainer fits inside the drain to collect hair and other debris, preventing pipe clogs. Also, keeps insects and small rodents from coming up through the sewerage system.



Lifting Key assists with grate removal.



+
ABS Base



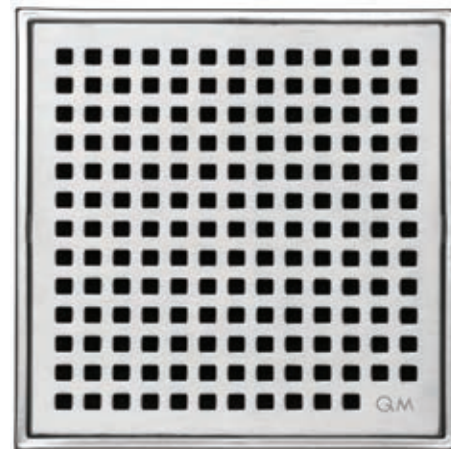
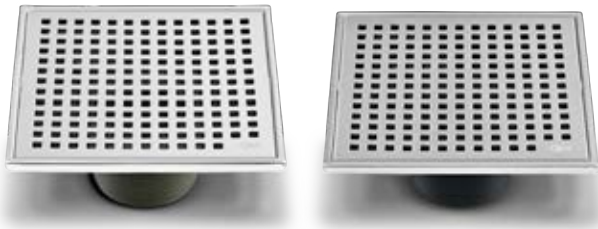
Watch video



LagosSeries

MIRA

True to its name, which means ocean in Sanskrit, Mira evokes the boundless beauty of the sea



Accessories included



Hair Strainer



Key

Material: Stainless Steel Marine 316 Grate with ABS pre-pitched Drain Base. Install with standard waterproofing methods.

Finishes: Satin & Polished.

SKU

		Satin	Polished
Size	4" x 4"	88.100.01	88.100.03
	5¾" x 5¾"	88.100.02	88.100.04

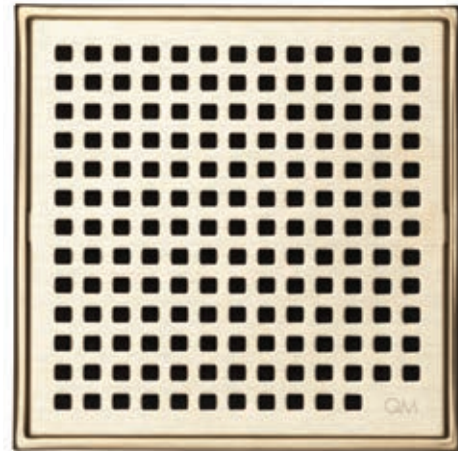
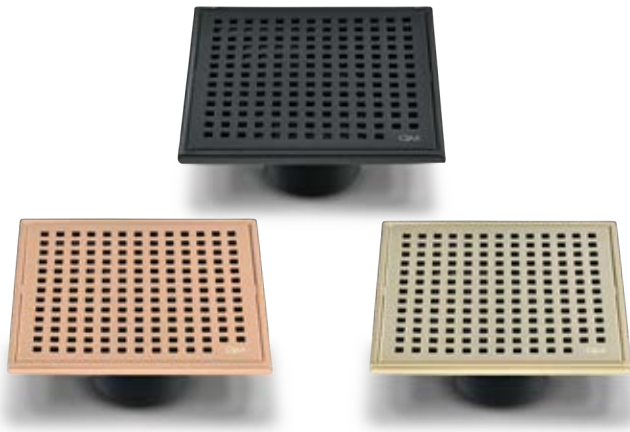


QM

LagosSeries

MIRA

True to its name, which means ocean in Sanskrit, Mira evokes the boundless beauty of the sea



Accessories included



Hair Strainer



Key

Material: Stainless Steel Marine 316 Grate with ABS pre-pitched Drain Base. Install with standard waterproofing methods.

Finishes: Bronze, ORB/Black & Satin Gold.

SKU

		Bronze	ORB/Black	Satin Gold
Size	4" x 4"	88.100.05	88.100.07	88.100.09
	5¾" x 5¾"	88.100.06	88.100.08	88.100.10



LagosSeries

VEIL (Tile-in)

A tribute to the way water disguises everything around us in nature



Accessories included



Hair Strainer



Key

Material: Stainless Steel Marine 316 Grate with ABS pre-pitched Drain Base. Install with standard waterproofing methods.

Finishes: Satin, Polished, ORB/Black & Satin Gold.

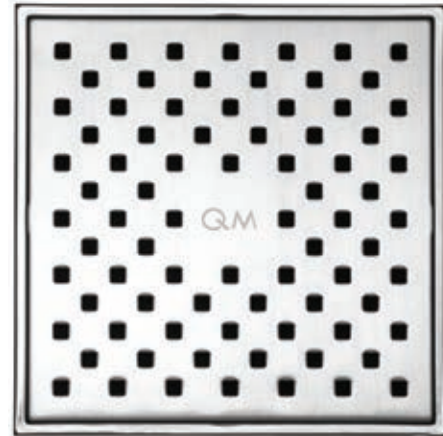
SKU		Satin	Polished	ORB/Black	Satin Gold
Size	4" x 4"	88.300.03	88.300.01	88.300.05	88.300.07
	5¾" x 5¾"	88.300.04	88.300.02	88.300.06	88.100.08



LagosSeries

TULIA

Named after the Latin world for heavy rain and influenced by the forceful way such rain hits our earth



Accessories included



Hair Strainer



Key

Material: Stainless Steel Marine 316 Grate with ABS pre-pitched Drain Base. Install with standard waterproofing methods.

Finishes: Satin, Polished & Bronze.

SKU		Satin	Polished	Bronze
Size	4" x 4"	88.200.01		88.200.05
	5 3/4" x 5 3/4"	88.200.02	88.200.04	88.200.06



#StainlessSteel304



Bay Series

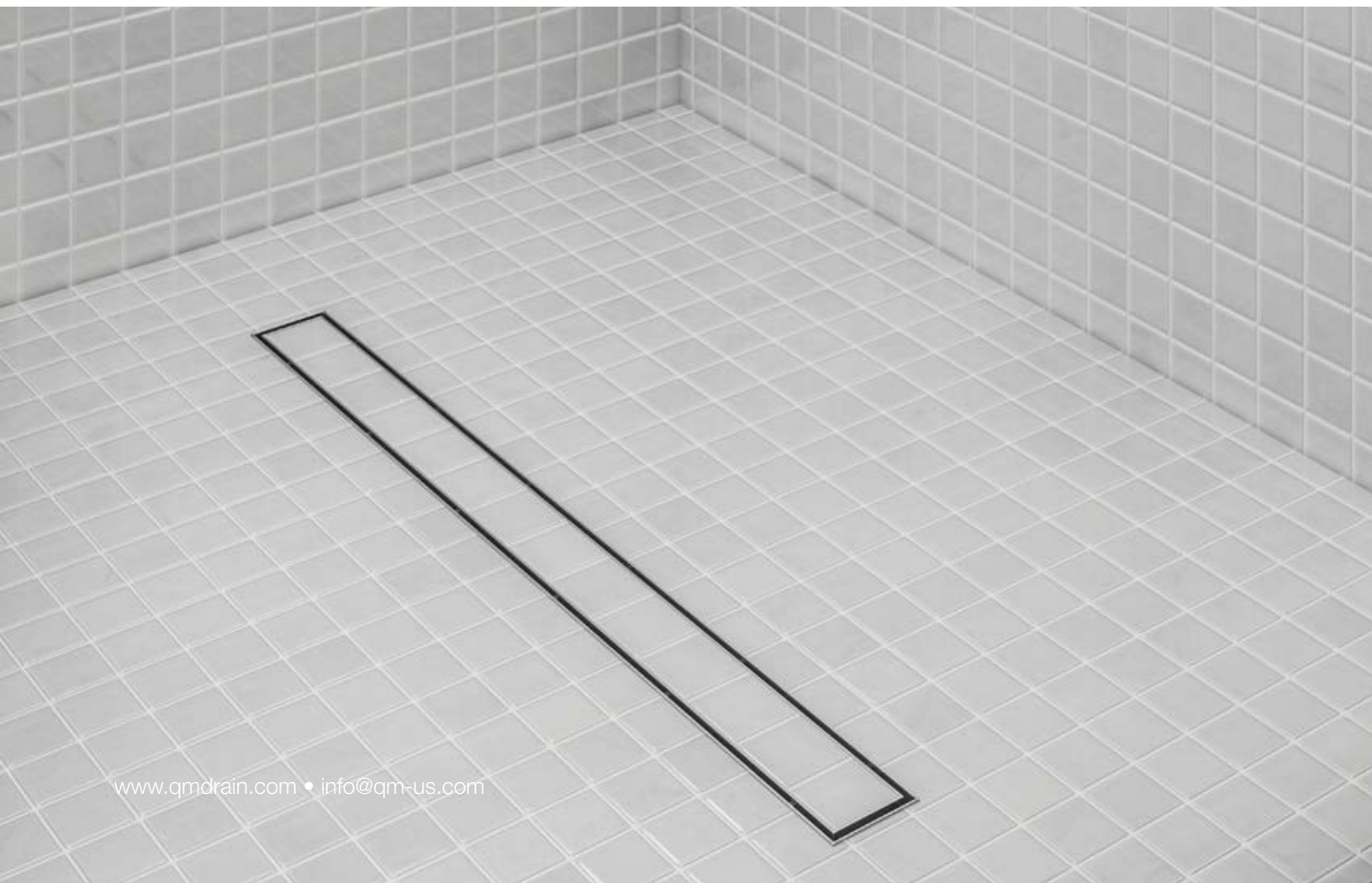
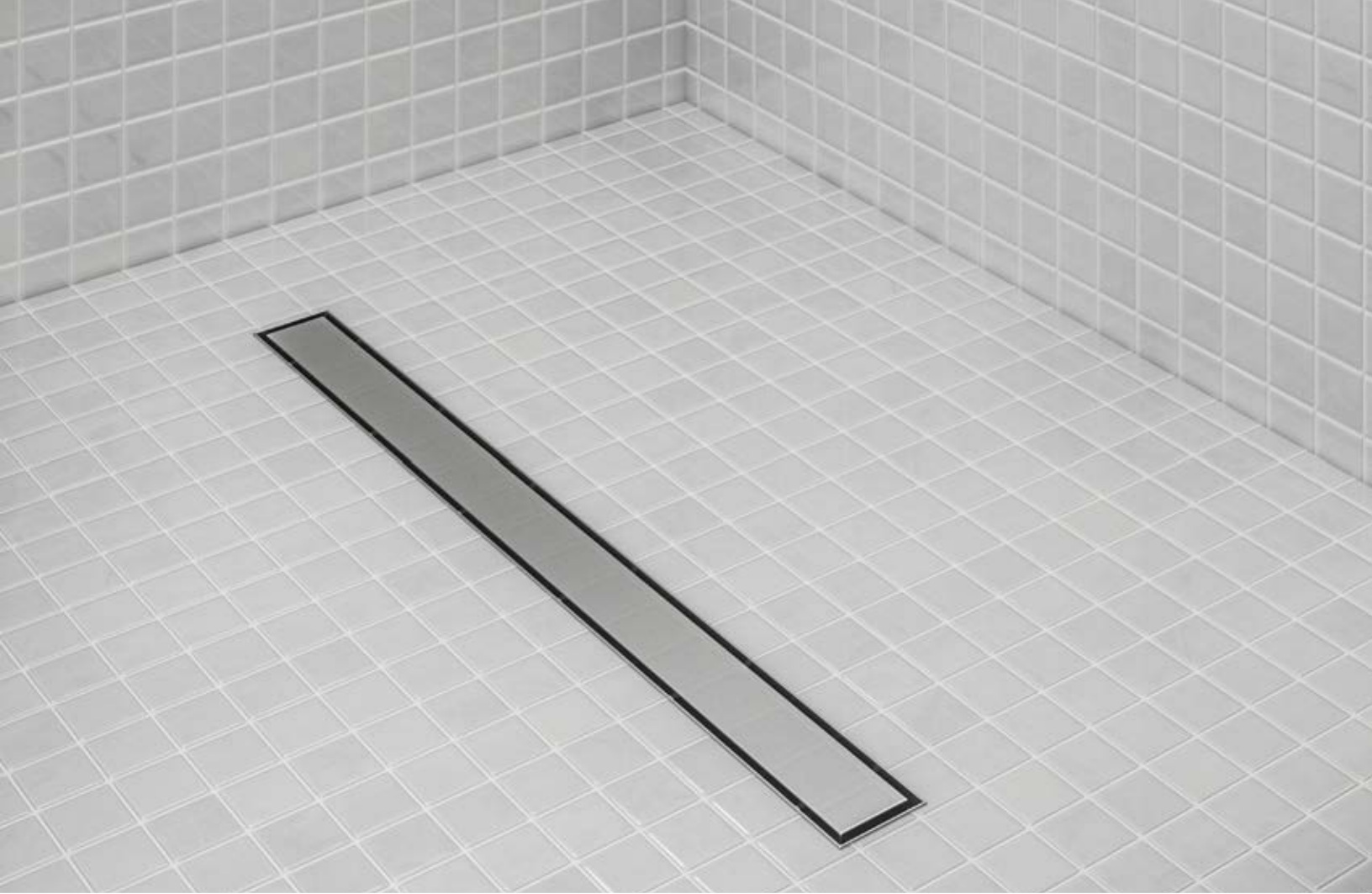
Made entirely of **Stainless Steel 304** for excellent corrosion resistance.

The Bay series offers a highly innovative 2 in 1 reversible grate system linear drain, Ria linear drain and Ria center drain, our export line, designed and created for the plumbing requirements of Latin America and the Caribbean.









Bay Series

2 in 1 Linear Drain

**Smooth
Stainless Steel**



Kit Includes: Odor/Bug Seal, Threaded Nipple, Plastic Legs, and Lifting Key.

Tile-in



Hair Strainer / Anti-Odor fits inside the drain to seal out odor and prevents insects and small rodents from coming up through the sewage system.



Watch video

Material: Stainless Steel 304.
Install with standard waterproofing methods.

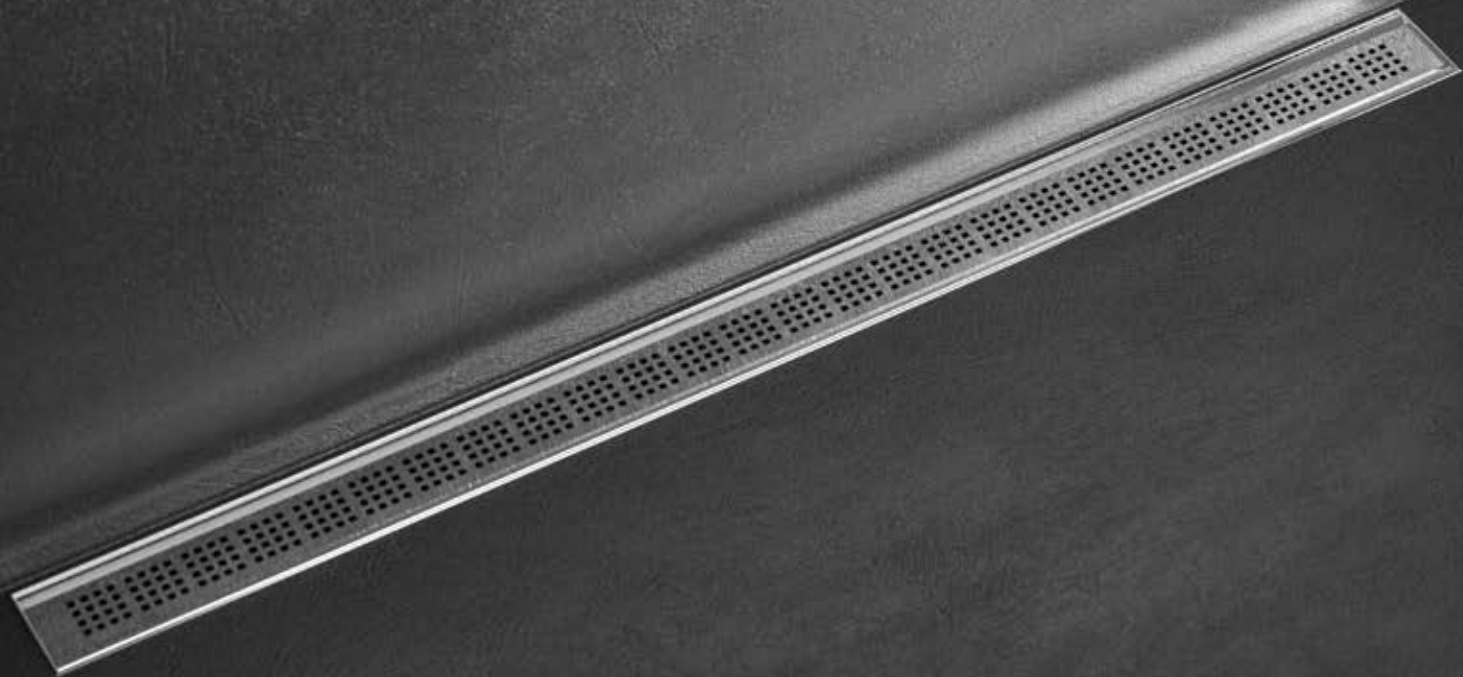
Finishes: Satin.

SKU	Length	Satin
	24"	38.100.05
	36"	38.100.06

Note: Optional Debris Basket (SKU: 83.100.04 DL) can be purchased separately and used in place of the Anti-Odor

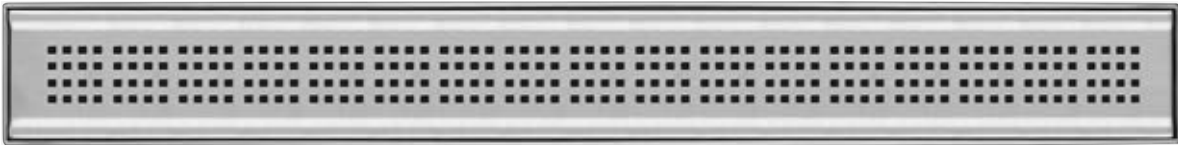






Bay Series

RIA LINEAR DRAIN



Kit Includes: Odor/Bug Seal, Threaded Nipple, and Lifting Key.



Hair Strainer / Anti-Odor fits inside the drain to seal out odor and prevents insects and small rodents from coming up through the sewage system.



Material: Stainless Steel 304.
Install with standard waterproofing methods.

Finishes: Satin, Polished, Satin Gold & ORB/Black.

SKU		Satin	Polished	Satin Gold	ORB/Black
Length	24"	38.200.24	38.200.24 P	38.200.24 G	38.200.24 ORB
	36"	38.200.36	38.200.36 P	38.200.36 G	38.200.36 ORB

Note: Optional Debris Basket (SKU: 83.100.04 DL) can be purchased separately and used in place of the Anti-Odor







Bay Series

RIA



Anti-Odor fits inside the drain to seal out odor and prevents insects and small rodents from coming up through the sewage system.

International Use Only

Material: Stainless Steel 304.
Install with standard waterproofing methods.

Finishes: Satin & Polished.



Watch video

SKU		Satin	Polished
Size	Ø 4"	38.100.00	
	4" x 4"	38.100.01	38.100.03
	5¾" x 5¾"	38.100.02	38.100.04



#QMDrain

Components



PVC Drain Flange

SKU 83.100.00 PVC | SKU 83.100.00 ABS

- Clamp down floor drain.
- 2" throat, 2" outlet.
- 6 1/4" overall diameter.
- Waterproofing: PVC/Vinyl liner, Lead/copper pan, Rubber liner, Fiberglass.



Cast Iron Drain Flange

SKU 83.100.01 (No hub) | SKU 83.100.01F (FIP)

- Clamp down floor drain.
- 2" throat, 2" no hub outlet or FIP.
- 6 1/2" overall diameter.
- Waterproofing: PVC/Vinyl liner, Lead/copper pan, Hot mop, Rubber liner, Fiberglass.



3" x 4" PVC Heavy Duty Drain Base with Clamping Ring

SKU 83.100.14

- Clamp down floor drain.
- 3.5" throat, 4" outlet.
- 8.58" overall diameter.
- Waterproofing: PVC/Vinyl liner, Lead/copper pan, Rubber liner, Fiberglass.



QM Side Outlet Drain Flange with Integrated Threaded Adaptor

SKU 83.100.03

- 3.31" throat, 2" outlet.
- Waterproofing: PVC/Vinyl liner, Lead/copper pan, Rubber liner, Fiberglass.



Adaptor for Schluter® Drain / Wedi® system

SKU 83.100.02

QM Drain Adaptor allows you to use QM drains instead of Schluter® Grate when using their integrated bounding flange (Residential 2" Drain Outlet) or Wedi® Drain Grate with shower systems.



What does QM stand for?

QM stands for Quality Metal. As in the highest quality Stainless Steel 316 Marine Grade used in our drains.

Where in the floor should a linear shower drain be positioned?

Drain position is determined by the location of the existing plumbing and your design preference. The four most common placements/configurations are:

- Along the wall – Allows for the floor to slope gently towards the wall where the drain is installed and increases the flow capacity as a small head of water can be created. Generally used only for linear drain installations.
- At the threshold – All QM linear drains can be installed at the shower entrance to create a barrier-free or curbless shower and are ADA compliant.
- In the center – Based on your shower design or when existing plumbing cannot be moved.
- Multiple drains may be required for a higher capacity shower installation with multiple showerhead outlets and sprays. Drain units can be positioned against each wall or side by side along one wall. If the shower is a walk-through design, drains can be located at the entrance and exit.

Should the square drain be placed in the middle of the shower floor?

Not really, it is normally placed there because of existing plumbing location, what it is really important is that the floor is pitched in four directions towards the drain.

What is the water intake of the drains?

The drainpipe is the defining factor in how much water can be eliminated. Most US residential plumbing installations use a 2" waste line, which provides a capacity of approximately 8 GPM and is sufficient to deal with most showerheads. If a higher flow rate is required multiple drains might be necessary. There are many variables that impact flow rate and drain performance, such as, showerhead flow, location, the size of the shower, the size of the drain, the location of the drain, the head of water, floor slope, etc. 70% of showerheads have a maximum capacity of less than 3 GPM. This value assumes no head of water above drain.

What is the gauge specification for each QM Drain series?

Gauge refers to the thickness of the material being used to manufacture the product, in this case it is Marine Grade Stainless Steel 316.

- Lagos Series: Grate thickness 1.8 mm = 15 gauges
- Delmar Series: Grate thickness 1.5 mm = 16 gauges
base thickness 1.2 mm = 18 gauges

What is the process that QM Drains uses to create the colored finishes on top of the Stainless Steel 316 such as Bronze, Oil Rub Bronze (ORB) and Satin Gold finish?

Physical Vapor Deposition (PVD) is the vacuum coating process of vaporizing a solid sheet of colored metal into a plasma state of molecules which is deposited on Stainless Steel 316. We believe it is the best, most eco-friendly way to create a long lasting finish.

What are the benefits of PVD technology?

- Excellent Wear Resistance
- Enhanced Corrosion Resistance
- Superior Resistance to chemicals
- Permanency of Finish
- Beautiful Decorative Finish
- Uniform Coating
- Will not Chip, Tarnish or Fade
- Low Maintenance
- Environmentally Friendly Process

Do you have a chrome or nickel finish?

Chrome and nickel are coatings over an underlying base metal. QM Drains are different. Our drains are constructed by using a solid piece of Stainless Steel 316. The stainless steel is polished to a reflective finish in our designs such as Delta. The appearance is like Chrome but longer lasting, easier to care for, and eco-friendly.

Why QM Drain uses Stainless Steel?

Stainless Steel is the optimum material on the market because it is 100% solid all the way through and 100% recyclable. Most Stainless Steel produced today has a recycled content of approximately 60% material. The means in the production of stainless steel, some of the most advanced technology in the market is being used to maximize production by controlling waste, materials, fuel use and pollution.

What is the difference between the Stainless Steel AISI 304 and AISI 316?

Stainless Steel 304 is exceptionally versatile and the most common stainless steel found in products for everyday use for the public. Its chemical composition, mechanical properties, welding ability and corrosion/oxidation resistance provides the best all-round performance at relatively lower cost. Stainless Steel 316 contains an added ingredient, 2 to 3% more molybdenum; this composition improves the corrosion resistance in many aggressive environments. The molybdenum addition ensures more resistance to pitting and crevice corrosion in saltwater and chloride-containing media. So the bottom line, when used in products that are exposed to water, it provides the longest life span possible.

Why do QM Drains have a frame?

The frame allows you to remove the grate, giving you easy access to the debris basket to maintain your drain, without damaging the surrounding grout.

Are QM Drains ADA compliant?

Yes, all QM linear drains can be installed at the threshold, or entry to the shower allowing for a curbless or barrier-free entry. QM linear drains make ADA compliance simple and stylish.

Do I need to purchase anything extra for the adjustable drains?

No, just like all QM Drains, the adjustable drains include everything you need for installation, including the Sikaflex sealant and a grinder cutting disc.

What is a flange and do I need one?

The flange (also referred to as the drain body or clamping ring) is the connecting device between your shower drain and the pipe. We offer compatible PVC and Cast Iron flanges; however, most standard universal 2" flanges will work with our drains.

What type of waterproofing can I use with QM Drains?

Any of the standard industry approved methods for waterproofing can be used: PVC/Vinyl liner, Lead/copper pan, Hot mop, Rubber liner, Fiberglass.

What is the QM Drain warranty?

QM Drain offers a 5-year warranty. Please refer to QM USA, Corp Terms and Conditions for the Limited Warranty, Disclaimer of Warranty, Returns Products and other Terms posted on QM's website located at: <http://qmdrain.com/>

What's the best way to clean my QM drain?

We suggest using a mixture of dishwashing liquid and water or baking soda and water. Rinse and polish dry with a paper towel or soft cloth. Never use scouring powders or steel wool as they will scratch the stainless steel. Especially if you have the polished or PVD finish to your drain. Never clean the drain using abrasive cloths or aggressive detergents such as bleach, ammonia or alcohol, as this could damage the surface permanently. This is especially true for the PVD finishes on the surface. You may brighten the drain by polishing with a cloth dipped in vinegar (or stainless steel polish.) The more you keep your drain clean, the longer the steel will stay shiny.

Tip: Remember to remove the grate to clean the channel and empty the hair strainer basket that fits inside the drains to maintain optimal performance.

Can I customize my drain size or finish?

Yes, please contact your local rep for a quote or contact us so we can direct you: info@qm-us.com

What other materials besides Stainless Steel 316 does QM use?

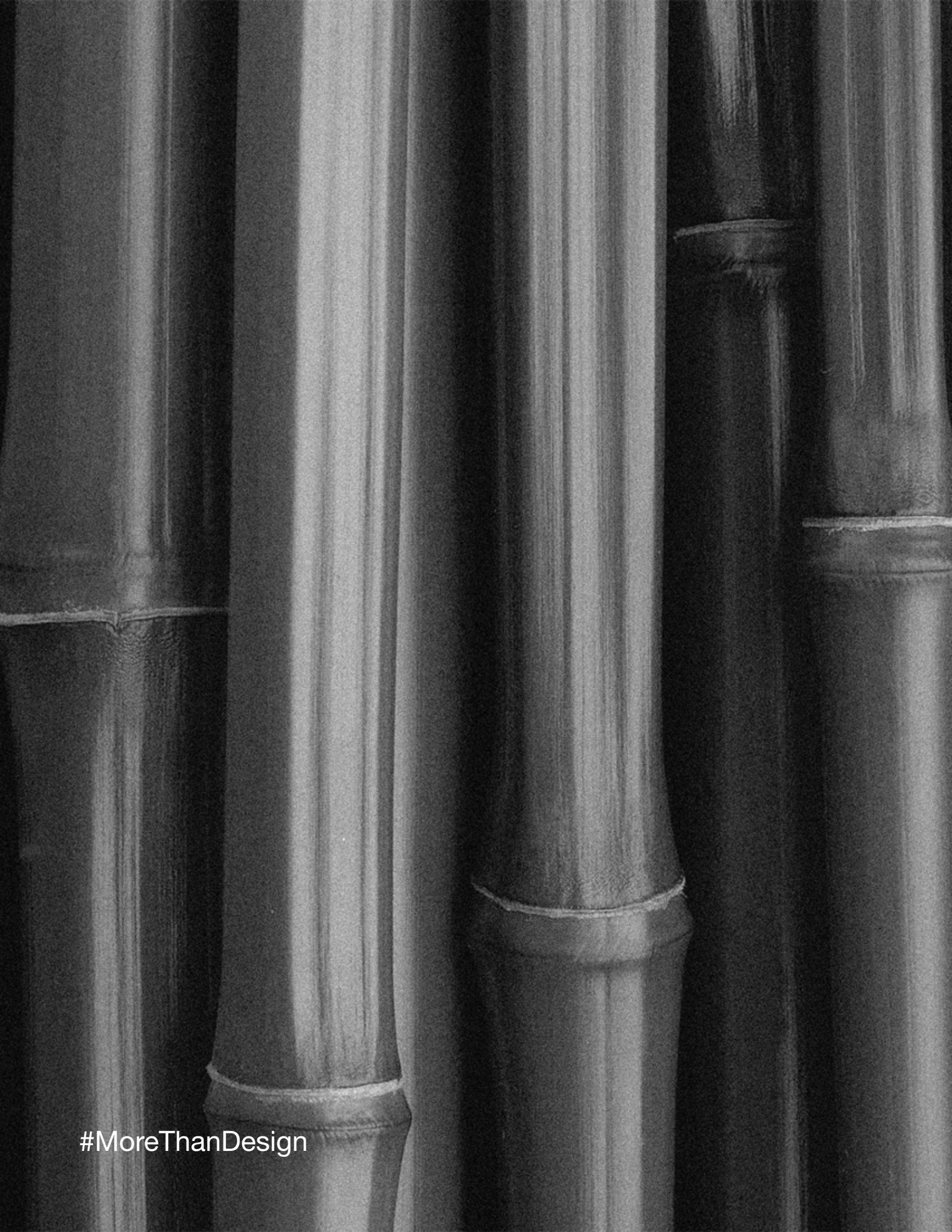
ABS (Acrylonitrile Butadiene Styrene) combines the strength of acrylonitrile and styrene polymers with the toughness of polybutadiene rubber. While the cost of producing ABS is roughly twice the cost of producing polystyrene, it is considered superior in the plumbing industry for its hardness, and heat and impact resistance. ABS is also recyclable. It is the same material used to make Legos. We use it to form the base of our Lagos series drains.

Can I use QM drain outside?

Yes, QM Drains are perfect for outdoor showers. We only use Stainless Steel 316 Marine Grade which provides the most corrosion-resistance, making it ideal for exterior conditions.

How long does it take to receive my QM drain?

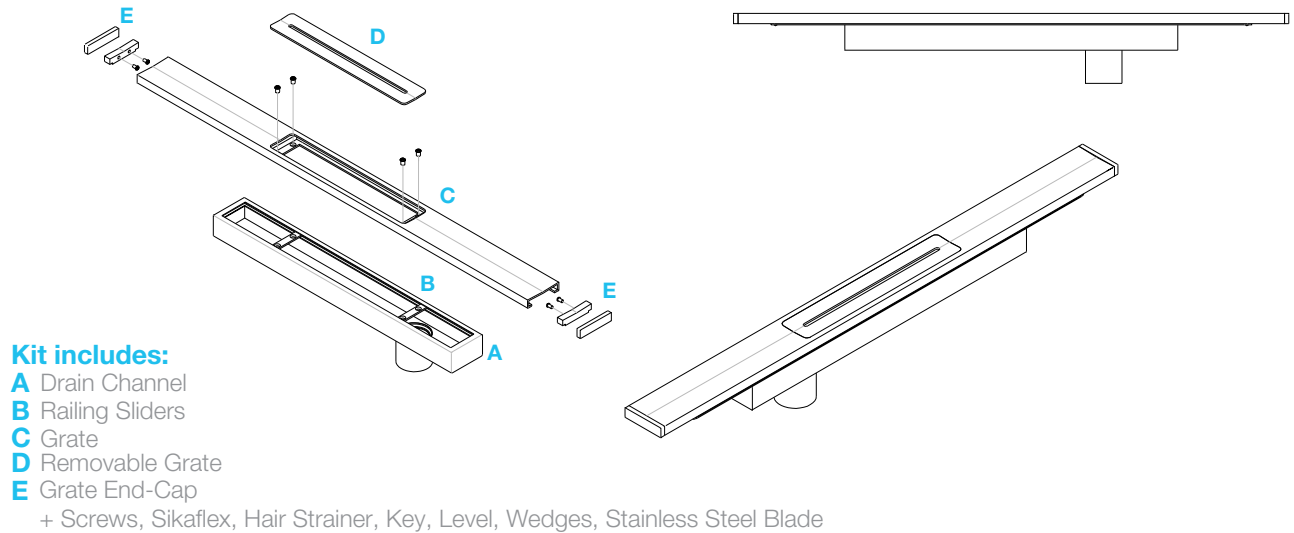
All of our drains are in stock in our South Florida warehouse and ready to ship. Please see our website for the locations of the qualified dealers near you: <http://qmdrain.com/where-to-buy/dealers/>



#MoreThanDesign

Technical Information

DELMAR LINEAR DRAIN SUPREME LINE

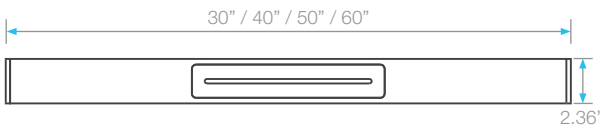


Kit includes:

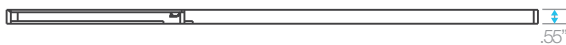
- A** Drain Channel
 - B** Railing Sliders
 - C** Grate
 - D** Removable Grate
 - E** Grate End-Cap
- + Screws, Sikaflex, Hair Strainer, Key, Level, Wedges, Stainless Steel Blade

Specifications

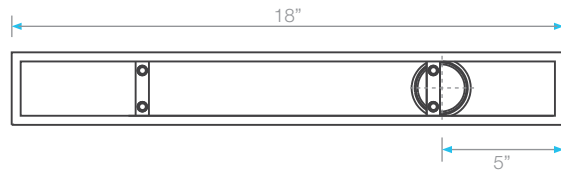
C Grate - Top View



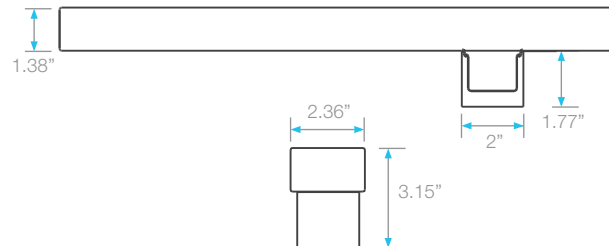
Side View



A Channel - Top View



Side View



D Removable Grate - Top View



Side View



Delmar Series Features

- 13 gauge 316 Stainless Steel Grate = 2.5 mm.
- 18 gauge 316 Stainless Steel Base = 1.2 mm.
- Works with 2" ABS, PVC or Cast Iron shower drain flange (not included).
- Standard Finishes: Satin, Polished, Satin Gold, and ORB/Black.
- Hair Strainer Basket comes with every drain, fits inside the drain to collect hair and other debris, preventing pipe clogs. Optional.
- Delmar Series is intended for use with traditional waterproofing methods.

Supreme Complete Kit



Satin	
SKU	Length
33.800.30	30"
33.800.40	40"
33.800.50	50"
33.800.60	60"



Satin Gold	
SKU	Length
33.800.30 G	30"
33.800.40 G	40"
33.800.50 G	50"
33.800.60 G	60"



Polished	
SKU	Length
33.800.30 P	30"
33.800.40 P	40"
33.800.50 P	50"
33.800.60 P	60"



ORB/Black	
SKU	Length
33.800.30 ORB	30"
33.800.40 ORB	40"
33.800.50 ORB	50"
33.800.60 ORB	60"

Kit includes

- Drain Channel
- Railing
- Grate Cover
- Removable Grate
- Key
- Level
- Grate End-Cap
- Screws
- Sikaflex
- Hair Strainer
- Wedges
- Stainless Steel Blade

Add to Kit



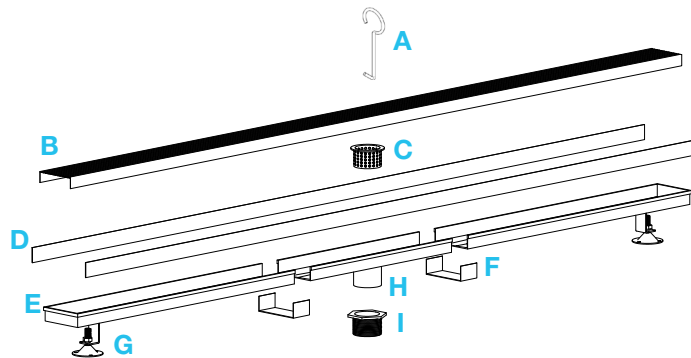
Drain Flange	SKU
2" PVC	83.100.00 PVC
2" ABS	83.100.00 ABS
2" Cast Iron No hub	83.100.01
2" Cast Iron FIP	83.100.01F

Note: Installer must verify all rough-in dimensions prior to installation and consult local and national codes. Conformity and compliance to local and national codes are the responsibility of the installer. Dimensions are subject to Manufacturers tolerance and change without notice. We can assume no responsibility for use of superseded or void data.

DELMAR LINEAR DRAIN ADJUSTABLE 2" OUTLET

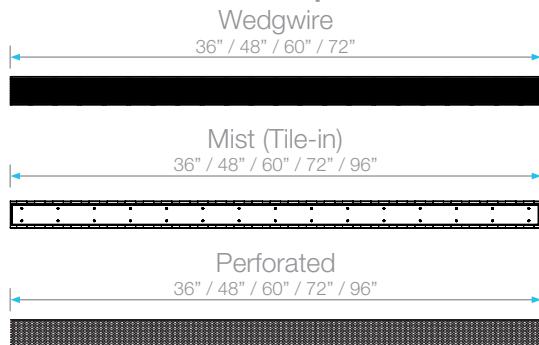
Kit Includes:

- A** Lifting Key
- B** Grate
- C** Hair/Debris Strainer
- D** Trims
- E** Stainless Steel Base
- F** Joiners
- G** Leveling Legs
- H** 2" Outlet
- I** Threaded Nipple / Adapter
 - + Stainless Steel Cutting Blade

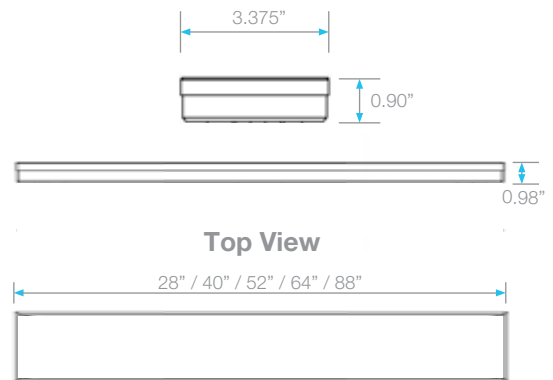


Specifications

B Grate - Top View

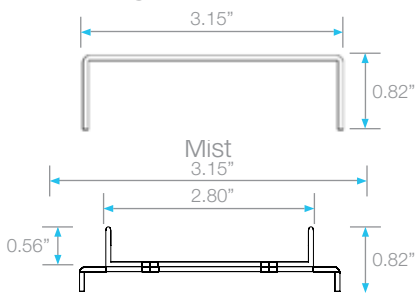


E Base - Side View

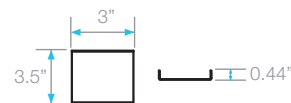


B Grate - Side View

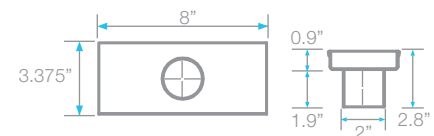
Wedgwire - Perforated



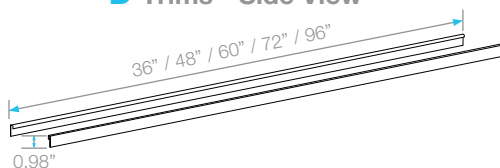
F Joiner - Side & Top View



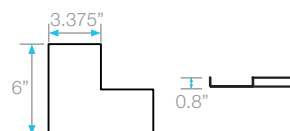
H 2" Outlet - Side & Top View



D Trims - Side View



Corner - Side & Top View



Delmar Series Features

- 16 gauge 316 Stainless Steel Grate = 1.5 mm.
- 18 gauge 316 Stainless Steel Base = 1.2 mm.
- Works with 2" ABS, PVC or Cast Iron shower drain flange (not included).
- Grate can be removed completely for cleaning.
- Hair Strainer Basket comes with every drain, fits inside the drain to collect hair and other debris, preventing pipe clogs.
- Standard Finishes: Satin and Polished.
- Delmar Series is intended for use with traditional waterproofing methods.

Adjustable Complete Kit

	Length	Satin SKU	Polished SKU
Wedgwire 	36"	33.610.36	33.610.36 P
	48"	33.610.48	33.610.48 P
	60"	33.610.60	33.610.60 P
	72"	33.610.72	33.610.72 P
	96"	33.610.96	33.610.96 P
Perforated 	36"	33.620.36	33.620.36 P
	48"	33.620.48	33.620.48 P
	60"	33.620.60	33.620.60 P
	72"	33.620.72	33.620.72 P
	96"	33.620.96	33.620.96 P
Mist (Tile-in) 	36"	33.630.36	33.630.36 P
	48"	33.630.48	33.630.48 P
	60"	33.630.60	33.630.60 P
	72"	33.630.72	33.630.72 P
	96"	33.630.96	33.630.96 P

Kit includes

- Lifting Key
- Trims
- Joiners
- Threaded Nipple/Adapter
- Grate
- PVC Base
- Leveling Legs
- Stainless Steel Blade
- Hair/Debris Strainer
- Base End Cape
- 2" Outlet

Add to Kit



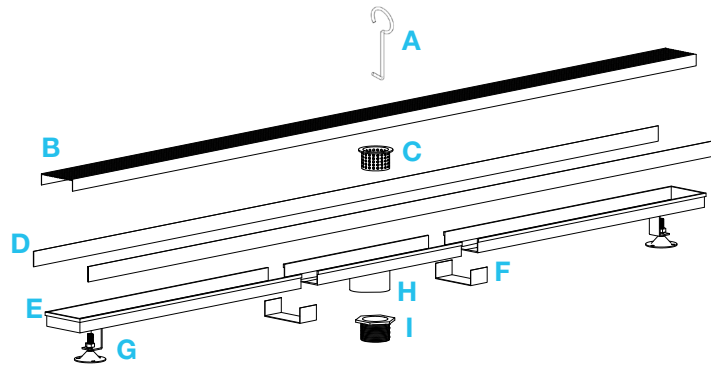
Drain Flange	SKU
2" PVC	83.100.00 PVC
2" ABS	83.100.00 ABS
2" Cast Iron No hub	83.100.01
2" Cast Iron FIP	83.100.01F

Note: 72" and *96" Kit includes two outlets, two hair strainers, two pair of joiners and two adapters. 96" Wedgwire Kit has two 48" grates. Choose the kit with equal or greater size than the length wanted; for longer lengths drain connect kits to build the desire length. Installer must verify all rough-in dimensions prior to installation and consult local and national codes. Conformity and compliance to local and national codes are the responsibility of the installer. Dimensions are subject to Manufacturers tolerance and change without notice. We can assume no responsibility for use of superseded or void data.

DELMAR LINEAR DRAIN ADJUSTABLE 3" OUTLET (HIGH FLOW)

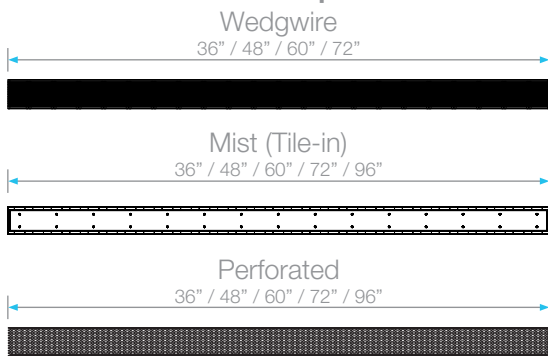
Kit Includes:

- A** Lifting Key
- B** Grate
- C** Hair/Debris Strainer
- D** Trims
- E** Stainless Steel Base
- F** Joiners
- G** Leveling Legs
- H** 3" Outlet
- I** Threaded Nipple / Adapter
 - + Stainless Steel Cutting Blade

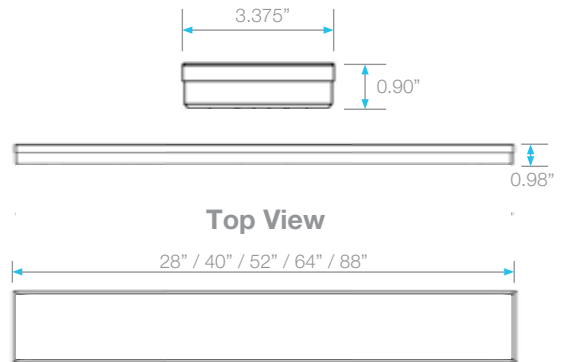


Specifications

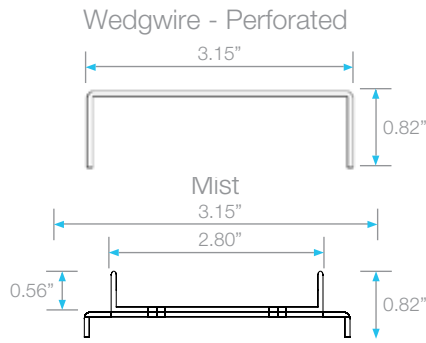
B Grate - Top View



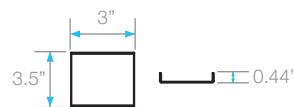
E Base - Side View



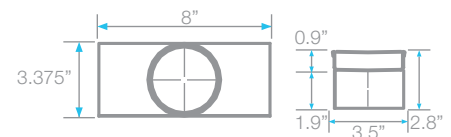
B Grate - Side View



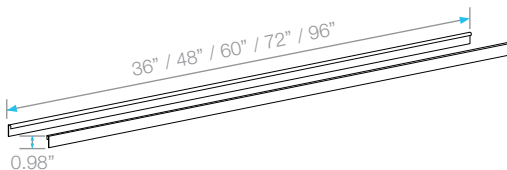
F Joiner - Side & Top View



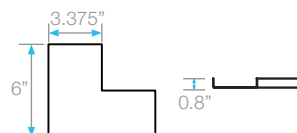
H 3" Outlet - Side & Top View



D Trims - Side View



Corner - Side & Top View



Delmar Series Features

- 16 gauge 316 Stainless Steel Grate = 1.5 mm.
- 18 gauge 316 Stainless Steel Base = 1.2 mm.
- Works with 2" ABS, PVC or Cast Iron shower drain flange (not included).
- Grate can be removed completely for cleaning.
- Hair Strainer Basket comes with every drain, fits inside the drain to collect hair and other debris, preventing pipe clogs.
- Standard Finishes: Satin and Polished.
- Delmar Series is intended for use with traditional waterproofing methods.

Adjustable Complete Kit

	Length	Satin SKU	Polished SKU
 Wedgewire	36"	33.610.36 HF	33.610.36 P HF
	48"	33.610.48 HF	33.610.48 P HF
	60"	33.610.60 HF	33.610.60 P HF
	72"	33.610.72 HF	33.610.72 P HF
	96"	33.610.96 HF	33.610.96 P HF
 Perforated	36"	33.620.36 HF	33.620.36 P HF
	48"	33.620.48 HF	33.620.48 P HF
	60"	33.620.60 HF	33.620.60 P HF
	72"	33.620.72 HF	33.620.72 P HF
	96"	33.620.96 HF	33.620.96 P HF
 Mist (Tile-in)	36"	33.630.36 HF	33.630.36 P HF
	48"	33.630.48 HF	33.630.48 P HF
	60"	33.630.60 HF	33.630.60 P HF
	72"	33.630.72 HF	33.630.72 P HF
	96"	33.630.96 HF	33.630.96 P HF

Kit includes

- Lifting Key
- Grate
- Hair/Debris Strainer
- Trims
- PVC Base
- Base End Cape
- Joiners
- Leveling Legs
- 2" Outlet
- Threaded Nipple/Adapter
- Stainless Steel Blade

Add to Kit



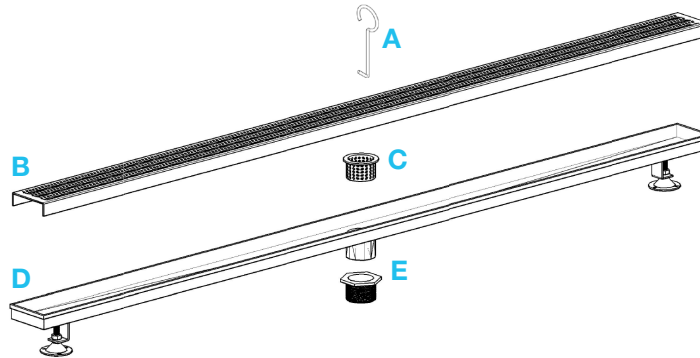
Drain Flange
3"x 4" PVC Heavy Duty **SKU**
83.100.14

Note: 72" and 96" Kit includes two outlets, two hair strainers, two pair of joiners and two adapters. 96" Wedgewire Kit has two 48" grates. Choose the kit with equal or greater size than the length wanted; for longer lengths drain connect kits to build the desire length. Installer must verify all rough-in dimensions prior to installation and consult local and national codes. Conformity and compliance to local and national codes are the responsibility of the installer. Dimensions are subject to Manufacturers tolerance and change without notice. We can assume no responsibility for use of superseded or void data.

DELMAR LINEAR DRAIN STANDARD LENGTH

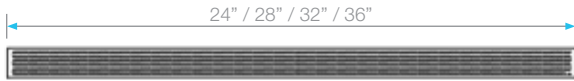
Kit Includes:

- A** Lifting Key
- B** Grate
- C** Hair/Debris Strainer
- D** Base
- E** Leveling Legs
- F** Threaded nipple



Specifications

B Grate - Top View
Nami - Kai



Mist



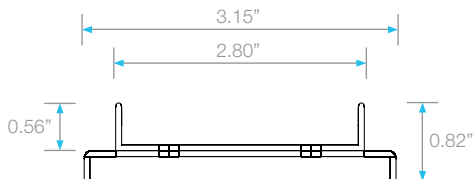
Delta - Wedgewire



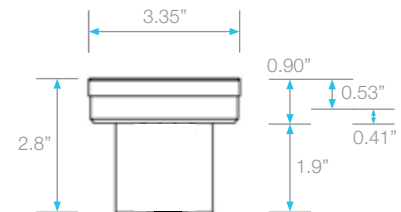
Side View
Nami - Kai - Delta



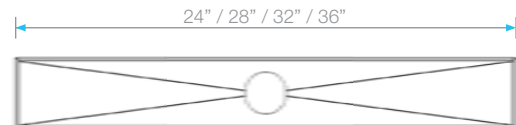
Mist



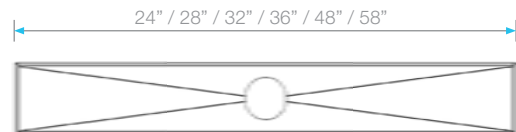
E Base - Side View



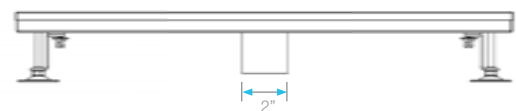
Top View
Nami - Kai



Delta - Mist - Wedgewire



Side View



Delmar Series Features

- 16 gauge 316 Stainless Steel Grate = 1.5 mm.
- 18 gauge 316 Stainless Steel Base = 1.2 mm.
- Works with 2" ABS, PVC or Cast Iron shower drain flange (not included).
- Delmar Series is intended for use with traditional waterproofing methods.
- Hair Strainer Basket comes with every drain, fits inside the drain to collect hair and other debris, preventing pipe clogs.
- Standard Finishes: Satin, Polished, ORB/Black, Bronze, and Satin Gold.
- Grate can be removed completely for cleaning.

Complete Kit

Lotus	Length	Bronze SKU	ORB/Black SKU	Satin Gold SKU
	24"	33.700.02	33.700.02 ORB	33.700.02 G
	28"	33.700.03	33.700.03 ORB	33.700.02 G
	32"	33.700.04	33.700.04 ORB	33.700.02 G
	36"	33.700.05	33.700.05 ORB	33.700.02 G
	48"	33.700.06	33.700.06 ORB	33.700.02 G
	58"	33.700.07	33.700.07 ORB	33.700.02 G

Wedgwire	Length	Satin SKU	Polished SKU	Mist (Tile-in)	Length	Satin SKU	ORB/Black SKU
	24"	33.700.02	33.700.02 P		24"	33.500.02	33.500.02 ORB
	28"	33.700.03	33.700.03 P		28"	33.500.03	33.500.03 ORB
	32"	33.700.04	33.700.04 P		32"	33.500.04	33.500.04 ORB
	36"	33.700.05	33.700.05 P		36"	33.500.05	33.500.05 ORB
	48"	33.700.06	33.700.06 P		48"	33.500.06	33.500.06 ORB
	58"	33.700.07	33.700.07 P		58"	33.500.07	33.500.07 ORB

Delta	Length	Satin SKU	Polished SKU	Kai	Length	SKU
	24"	33.300.02	33.300.02 P		24"	33.200.02
	28"	33.300.03	33.300.03 P		28"	33.200.03
	32"	33.300.04	33.300.04 P		32"	33.200.04
	36"	33.300.05	33.300.05 P		36"	33.700.05
	48"	33.300.06	33.300.06 P			
	58"	33.300.07	33.300.07 P			

Nami	Length	SKU
	24"	33.100.02
	28"	33.100.03
	32"	33.100.04
	36"	33.100.05

Kit includes

- Lifting Key
- Grate
- Hair/Debris Strainer
- Base
- Leveling Legs
- Threaded Nipple/Adapter

Add to Kit



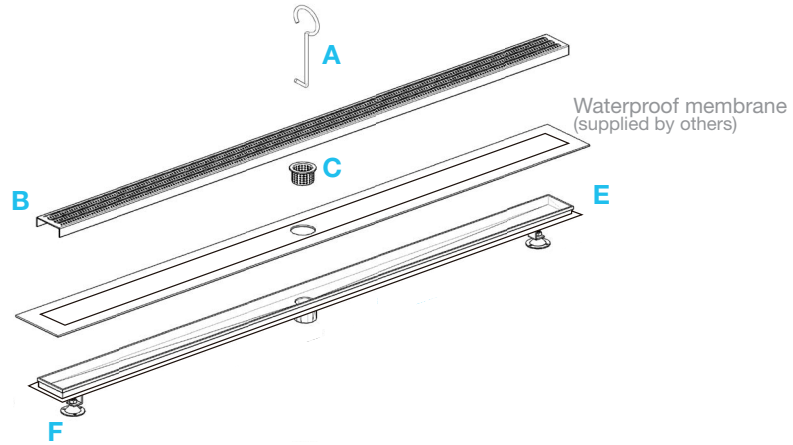
Drain Flange	SKU
2" PVC	83.100.00 PVC
2" ABS	83.100.00 ABS
2" Cast Iron No hub	83.100.01
2" Cast Iron FIP	83.100.01F

Note: Installer must verify all rough-in dimensions prior to installation and consult local and national codes. Conformity and compliance to local and national codes are the responsibility of the installer. Dimensions are subject to Manufacturers tolerance and change without notice. We can assume no responsibility for use of superseded or void data.

DELMAR LINEAR DRAIN STANDARD LENGTH WITH FLANGE EDGE

Kit Includes:

- A** Lifting Key
- B** Grate
- C** Hair/Debris Strainer
- D** Trims
- E** Flange Edge Base
- F** Leveling Legs

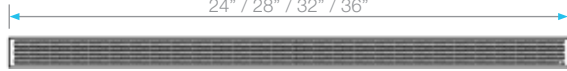


Specifications

B Grate - Top View

Nami - Kai

24" / 28" / 32" / 36"



Mist

24" / 28" / 32" / 36" / 48" / 58"



Delta - Wedgewire

24" / 28" / 32" / 36" / 48" / 58"



Side View

Nami - Kai - Delta

3.15"



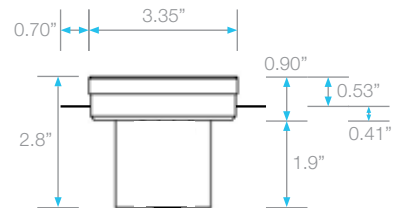
Mist

3.15"

2.80"



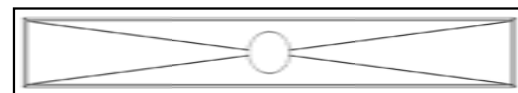
E Base - Side View



Top View

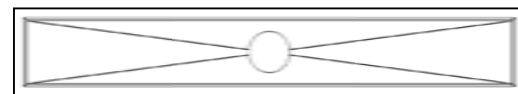
Nami - Kai

24" / 28" / 32" / 36"

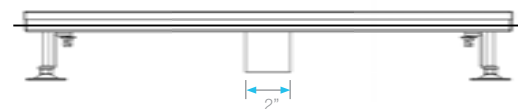


Delta - Mist - Wedgewire

24" / 28" / 32" / 36" / 48" / 58"




Side View



Delmar Series Features

- 16 gauge 316 Stainless Steel Grate = 1.5 mm.
- 18 gauge 316 Stainless Steel Base = 1.2 mm.
- Works with 2" ABS, PVC or Cast Iron shower drain flange (not included).
- Grate can be removed completely for cleaning.
- Hair Strainer Basket comes with every drain, fits inside the drain to collect hair and other debris, preventing pipe clogs.
- Standard Finishes: Satin and Polished.
- Delmar Series is intended for use with traditional waterproofing methods.


Complete Kit

	Length	Satin SKU	Polished SKU		Length	Satin SKU
 <p>Wedgwire</p>	24"	33.700.02 F	33.700.02 P F	 <p>Mist (Tile-in)</p>	24"	33.500.02 F
	28"	33.700.03 F	33.700.03 P F		28"	33.500.03 F
	32"	33.700.04 F	33.700.04 P F		32"	33.500.04 F
	36"	33.700.05 F	33.700.05 P F		36"	33.500.05 F
	48"	33.700.06 F	33.700.06 P F		48"	33.500.06 F
	58"	33.700.07 F	33.700.07 P F		58"	33.500.07 F
 <p>Delta</p>	24"	33.300.02 F	33.300.02 P F	 <p>Kai</p>	24"	33.200.02 F
	28"	33.300.03 F	33.300.03 P F		28"	33.200.03 F
	32"	33.300.04 F	33.300.04 P F		32"	33.200.04 F
	36"	33.300.05 F	33.300.05 P F		36"	33.700.05 F
	48"	33.300.06 F	33.300.06 P F	 <p>Nami</p>	24"	33.100.02 F
	58"	33.300.07 F	33.300.07 P F		28"	33.100.03 F
					32"	33.100.04 F
					36"	33.100.05 F

Kit includes

- Lifting Key
- Grate
- Hair/Debris Strainer
- Base
- Leveling Legs
- Threaded Nipple/Adapter

Add to Kit

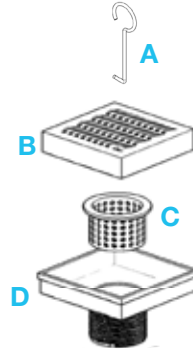
	Drain Flange	SKU
	2" PVC	83.100.00 PVC
	2" ABS	83.100.00 ABS
	2" Cast Iron No hub	83.100.01
	2" Cast Iron FIP	83.100.01F

Note: Installer must verify all rough-in dimensions prior to installation and consult local and national codes. Conformity and compliance to local and national codes are the responsibility of the installer. Dimensions are subject to Manufacturers tolerance and change without notice. We can assume no responsibility for use of superseded or void data.

DELMAR SQUARE DRAIN

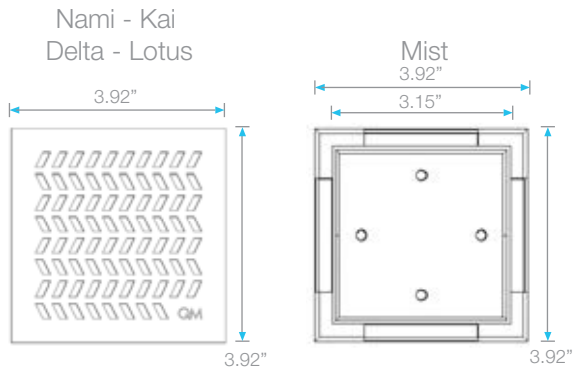
Kit Includes:

- A** Lifting Key
- B** Grate
- C** Hair/Debris Strainer
- D** Base

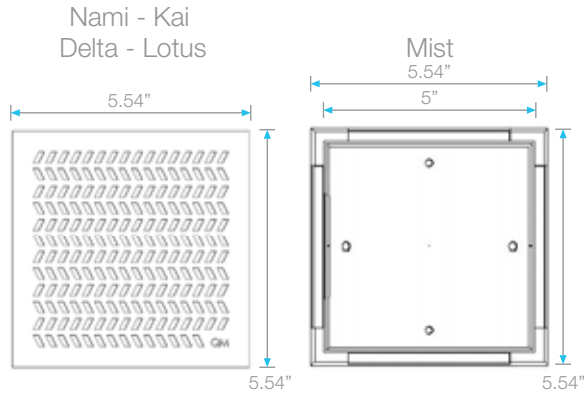


Specifications

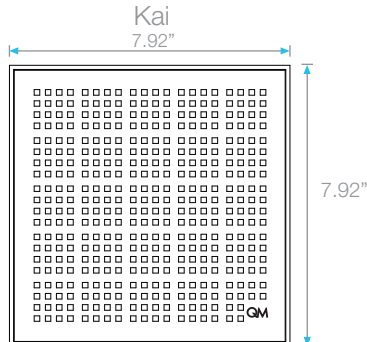
B Grate - Top View 4" x 4"



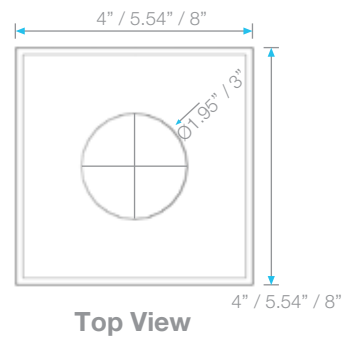
Top View 5 3/4" x 5 3/4"



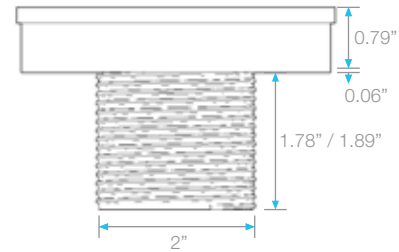
Top View 8" x 8"



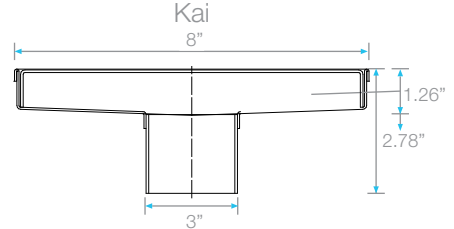
D Base - Top View



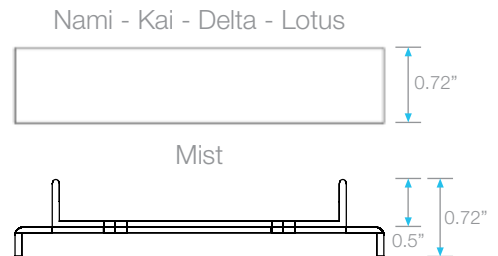
Top View



Side View 8" x 8"



B Grate - Side View



Delmar Series Features

- 16 gauge 316 Stainless Steel Grate = 1.5 mm.
- 18 gauge 316 Stainless Steel Base = 1.2 mm.
- Works with 2" ABS, PVC or Cast Iron shower drain flange (not included).
- Delmar Series is intended for use with traditional waterproofing methods.
- Hair Strainer Basket comes with every drain, fits inside the drain to collect hair and other debris, preventing pipe clogs.
- Standard Finishes: Satin, Polished, ORB/Black, and Satin Gold.
- Grate can be removed completely for cleaning.

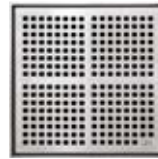
Complete Kit

Nami



Length	Satin SKU
4" x 4"	33.100.00
5 3/4" x 5 3/4"	33.100.01

Kai



Length	Satin SKU
4" x 4"	33.200.00
5 3/4" x 5 3/4"	33.200.01
8" x 8" (3" Outdoor)	33.200.08

Delta



Length	Satin SKU	Polished SKU
4" x 4"	33.300.00	33.300.00 P
5 3/4" x 5 3/4"	33.300.01	33.300.01 P

Mist



Length	Satin SKU
4" x 4"	33.500.00
5 3/4" x 5 3/4"	33.500.01

Lotus



Length	Bronze SKU	ORB/Black SKU	Satin Gold SKU
4" x 4"	33.400.00	33.400.00 ORB	33.400.00 G
5 3/4" x 5 3/4"	33.400.01	33.400.01 ORB	33.400.01 G

Kit includes

- Lifting Key
- Hair/Debris Strainer
- Grate
- Base

Add to Kit



Drain Flange	SKU
2" PVC	83.100.00 PVC
2" ABS	83.100.00 ABS
2" Cast Iron No hub	83.100.01
2" Cast Iron FIP	83.100.01F



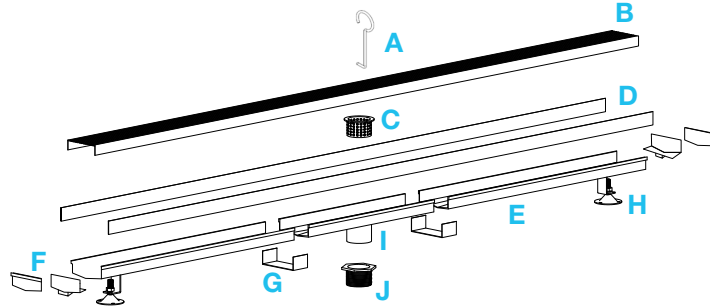
Drain Flange	SKU
3"x 4" PVC Heavy Duty	83.100.14

Note: Installer must verify all rough-in dimensions prior to installation and consult local and national codes. Conformity and compliance to local and national codes are the responsibility of the installer. Dimensions are subject to Manufacturers tolerance and change without notice. We can assume no responsibility for use of superseded or void data.

LAGOS LINEAR DRAIN ADJUSTABLE 2" OUTLET

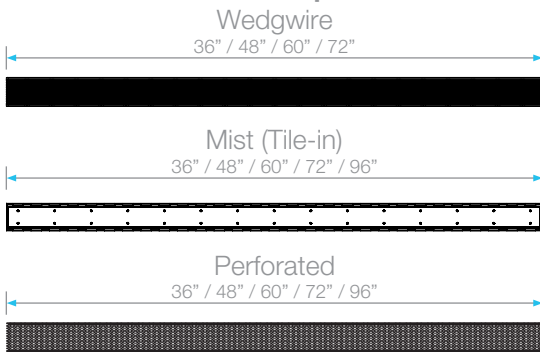
Kit Includes:

- A** Lifting Key
- B** Grate
- C** Hair/Debris Strainer
- D** Trims
- E** PVC Base
- F** Base End Cap
- G** Joiners
- H** Leveling Legs
- I** 2" Outlet
- J** Threaded Nipple / Adapter
 - + Stainless Steel Cutting Blade

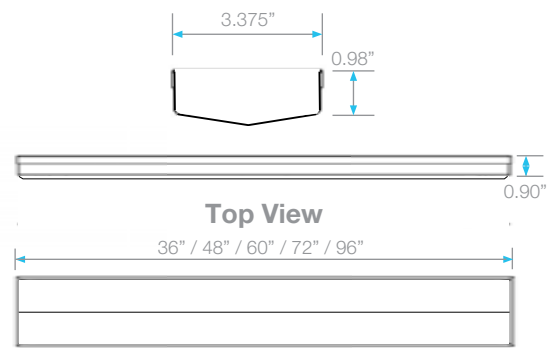


Specifications

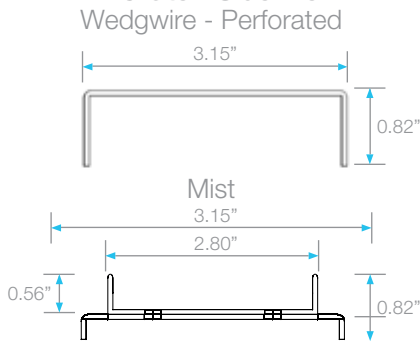
B Grate - Top View



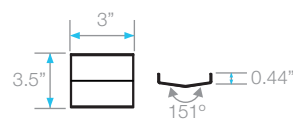
E Base - Side View



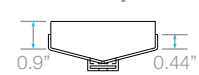
B Grate - Side View



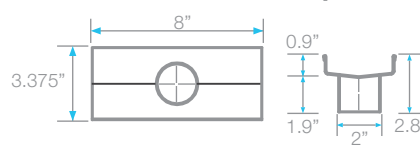
G Joiner - Side & Top View



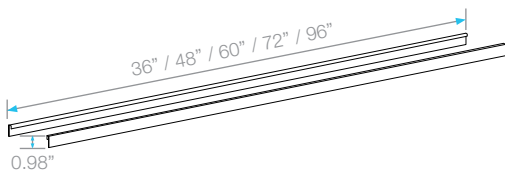
F Base End Cap - Side View



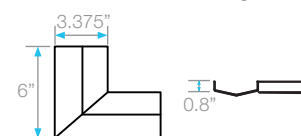
I 2" Outlet - Side & Top View



D Trims - Side View



Corner - Side & Top View



Lagos Series Features

- 16 gauge 316 Stainless Steel Grate = 1.5 mm.
- PVC Base = 3 mm.
- Works with 2" ABS, PVC or Cast Iron shower drain flange (not included).
- Standard Finishes: Satin and Polished.
- Grate can be removed completely for cleaning.
- Hair Strainer Basket comes with every drain, fits inside the drain to collect hair and other debris, preventing pipe clogs.
- Lagos Series is intended for use with traditional waterproofing methods.

Adjustable Complete Kit

	Length	Satin SKU	Polished SKU
Wedgwire 	36"	88.610.36	88.610.36 P
	48"	88.610.48	88.610.48 P
	60"	88.610.60	88.610.60 P
	72"	88.610.72	88.610.72 P
	96"	88.610.96	88.610.96 P
Perforated 	36"	88.620.36	88.620.36 P
	48"	88.620.48	88.620.48 P
	60"	88.620.60	88.620.60 P
	72"	88.620.72	88.620.72 P
	96"	88.620.96	88.620.96 P
Mist (Tile-in) 	36"	88.630.36	88.630.36 P
	48"	88.630.48	88.630.48 P
	60"	88.630.60	88.630.60 P
	72"	88.630.72	88.630.72 P
	96"	88.630.96	88.630.96 P

Kit includes

- Lifting Key
- Trims
- Joiners
- Threaded Nipple/Adapter
- Grate
- PVC Base
- Leveling Legs
- Stainless Steel Blade
- Hair/Debris Strainer
- Base End Cape
- 2" Outlet

Add to Kit



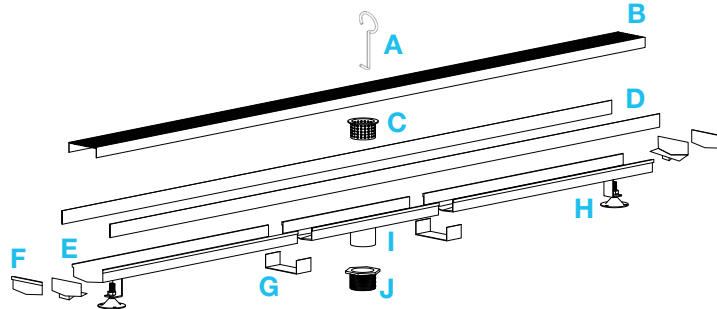
Drain Flange	SKU
2" PVC	83.100.00 PVC
2" ABS	83.100.00 ABS
2" Cast Iron No hub	83.100.01
2" Cast Iron FIP	83.100.01F

Note: 72" and *96" Kit includes two outlets, two hair strainers, two pair of joiners and two adapters. 96" Wedgwire Kit has two 48" grates. Choose the kit with equal or greater size than the length wanted; for longer lengths drain connect kits to build the desire length. Installer must verify all rough-in dimensions prior to installation and consult local and national codes. Conformity and compliance to local and national codes are the responsibility of the installer. Dimensions are subject to Manufacturers tolerance and change without notice. We can assume no responsibility for use of superseded or void data.

LAGOS LINEAR DRAIN ADJUSTABLE 3" OUTLET (HIGH FLOW)

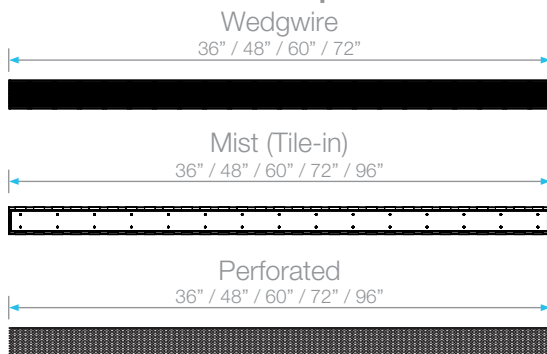
Kit Includes:

- A** Lifting Key
- B** Grate
- C** Hair/Debris Strainer
- D** Trims
- E** PVC Base
- F** Base End Cap
- G** Joiners
- H** Leveling Legs
- I** 3" Outlet
- J** Threaded Nipple / Adapter
 - + Stainless Steel Cutting Blade

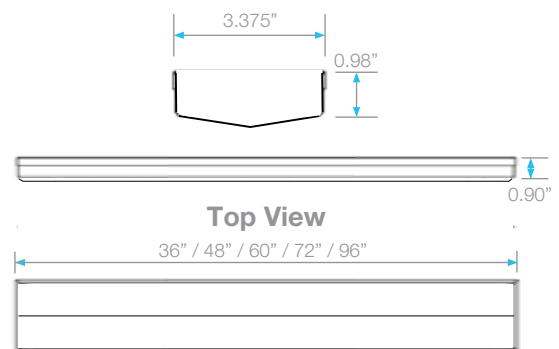


Specifications

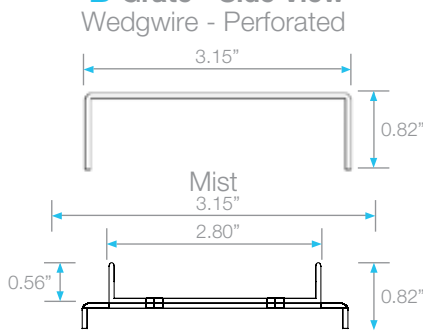
B Grate - Top View



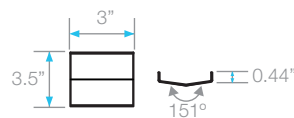
E Base - Side View



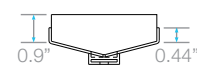
B Grate - Side View



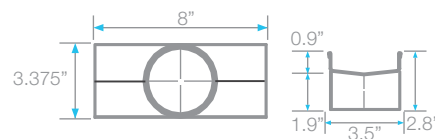
G Joiner - Side & Top View



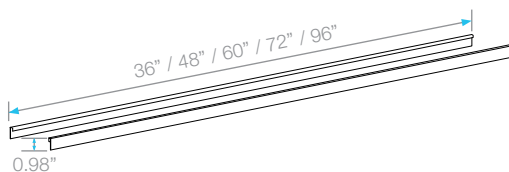
F Base End Cap - Side View



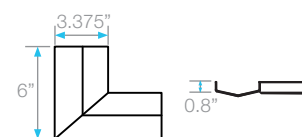
I 3" Outlet - Side & Top View



D Trims - Side View



Corner - Side & Top View



Lagos Series Features

- 16 gauge 316 Stainless Steel Grate = 1.5 mm.
- PVC Base = 3 mm.
- Works with 2" ABS, PVC or Cast Iron shower drain flange (not included).
- Standard Finishes: Satin and Polished.
- Grate can be removed completely for cleaning.
- Hair Strainer Basket comes with every drain, fits inside the drain to collect hair and other debris, preventing pipe clogs.
- Lagos Series is intended for use with traditional waterproofing methods.

Adjustable Complete Kit

	Length	Satin SKU	Polished SKU
Wedgwire 	36"	88.610.36 HF	88.610.36 P HF
	48"	88.610.48 HF	88.610.48 P HF
	60"	88.610.60 HF	88.610.60 P HF
	72"	88.610.72 HF	88.610.72 P HF
	96"	88.610.96 HF	88.610.96 P HF
Perforated 	36"	88.620.36 HF	88.620.36 P HF
	48"	88.620.48 HF	88.620.48 P HF
	60"	88.620.60 HF	88.620.60 P HF
	72"	88.620.72 HF	88.620.72 P HF
	96"	88.620.96 HF	88.620.96 P HF
Mist (Tile-in) 	36"	88.630.36 HF	88.630.36 P HF
	48"	88.630.48 HF	88.630.48 P HF
	60"	88.630.60 HF	88.630.60 P HF
	72"	88.630.72 HF	88.630.72 P HF
	96"	88.630.96 HF	88.630.96 P HF

Kit includes

- Lifting Key
- Trims
- Joiners
- Threaded Nipple/Adapter
- Grate
- PVC Base
- Leveling Legs
- Stainless Steel Blade
- Hair/Debris Strainer
- Base End Cape
- 3" Outlet

Add to Kit



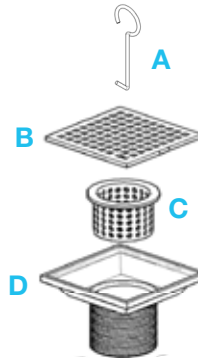
Drain Flange **SKU**
3"x 4" PVC Heavy Duty 83.100.14

Note: 72" and *96" Kit includes two outlets, two hair strainers, two pair of joiners and two adapters. 96" Wedgwire Kit has two 48" grates. Choose the kit with equal or greater size than the length wanted; for longer lengths drain connect kits to build the desire length. Installer must verify all rough-in dimensions prior to installation and consult local and national codes. Conformity and compliance to local and national codes are the responsibility of the installer. Dimensions are subject to Manufacturers tolerance and change without notice. We can assume no responsibility for use of superseded or void data.

LAGOS SQUARE DRAIN

Kit Includes:

- A** Lifting Key
- B** Grate
- C** Hair/Debris Strainer
- D** Base

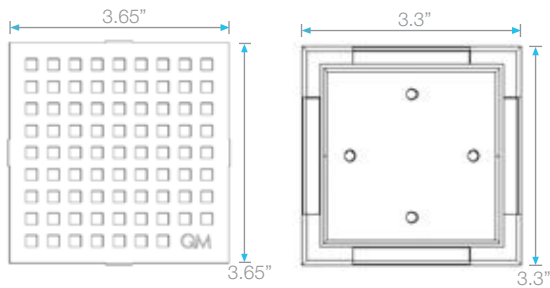


Specifications

B Grate - Top View 4" x 4"

Mira - Tulia

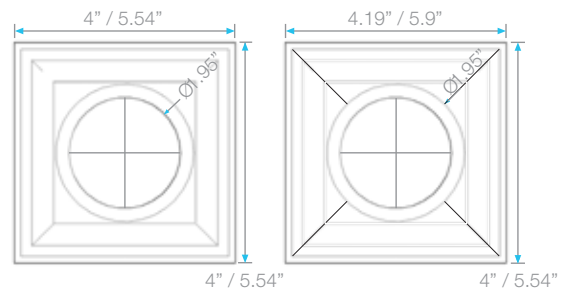
Veil



D Base - Top View

Mira - Tulia

Veil

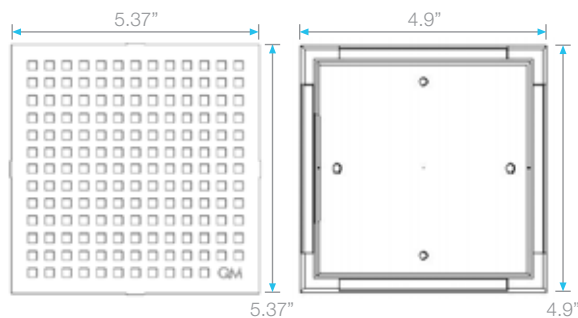


Top View 5 3/4" x 5 3/4"

Nami - Kai

Delta - Lotus

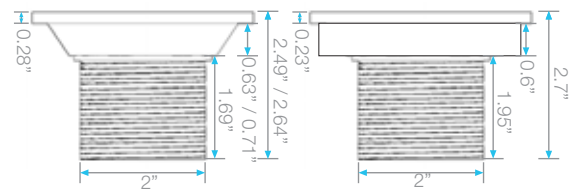
Mist



Side View

Mira - Tulia

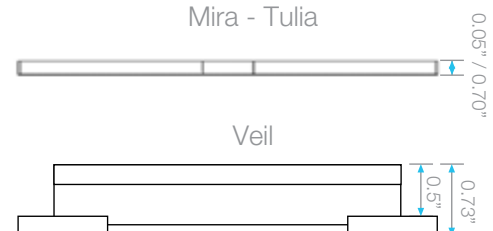
Veil



B Grate - Side View

Mira - Tulia

Veil

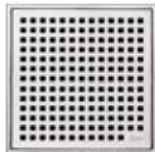


Lagos Series Features

- 15 gauge 316 Stainless Steel Grate = 1.8 mm
- Base made in ABS plastic.
- Requires traditional 4-way floor pitch.
- Works with 2" ABS, PVC or Cast Iron shower drain flange (not included).
- Lagos Series is intended for use with traditional waterproofing methods.
- Hair Strainer Basket comes with every drain, fits inside the drain to collect hair and other debris, preventing pipe clogs.
- Standard Finishes: Satin, Polished, ORB/Black, and Satin Gold.
- Grate can be removed completely for cleaning.

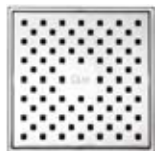
Complete Kit

Mira



Length	Satin SKU	Polished SKU	Bronze SKU	ORB/Black SKU	Satin Gold SKU
4" x 4"	88.100.01	88.100.03	88.100.05	88.100.07	88.100.09
5 3/4" x 5 3/4"	88.100.02	88.100.04	88.100.06	88.100.08	88.100.10

Tulia



Length	Satin SKU	Polished SKU	Bronze SKU
4" x 4"	88.200.01		88.200.05
5 3/4" x 5 3/4"	88.200.02	88.200.04	88.200.06

Veil

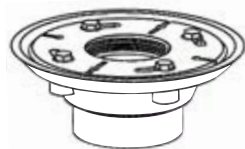


Length	Satin SKU	Polished SKU	ORB/Black SKU	Satin Gold SKU
4" x 4"	88.300.03	88.300.01	88.300.05	88.300.07
5 3/4" x 5 3/4"	88.300.04	88.300.02	88.300.06	88.300.08

Kit includes

- Lifting Key
- Hair/Debris Strainer
- Grate
- Base

Add to Kit



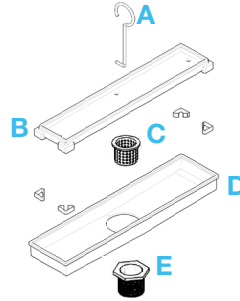
Drain Flange	SKU
2" PVC	83.100.00 PVC
2" ABS	83.100.00 ABS
2" Cast Iron No hub	83.100.01
2" Cast Iron FIP	83.100.01F

Note: Installer must verify all rough-in dimensions prior to installation and consult local and national codes. Conformity and compliance to local and national codes are the responsibility of the installer. Dimensions are subject to Manufacturers tolerance and change without notice. We can assume no responsibility for use of superseded or void data.

LAGOS VEIL LINEAR DRAIN

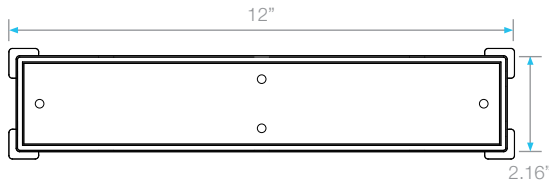
Kit Includes:

- A** Lifting Key
- B** Grate
- C** Hair/Debris Strainer
- D** Base
- E** Threaded Nipple

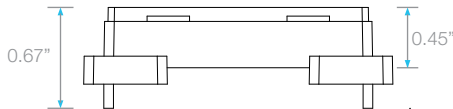


Specifications

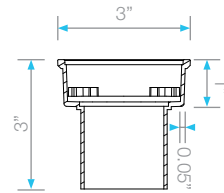
B Grate - Top View



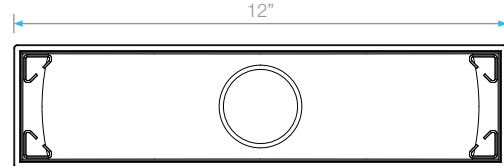
Side View



E Base - Side View



Top View



Kit includes

- Lifting Key
- Grate
- Threaded Nipple
- Hair/Debris Strainer
- Base

Complete Kit



Veil Linear

Length	Satin SKU	Polished SKU	Satin Gold SKU	ORB/Black SKU	Bronze SKU
12" x 3"	88.L300.01	88.L300.02	88.L300.03	88.L300.04	88.L300.05

Add to Kit



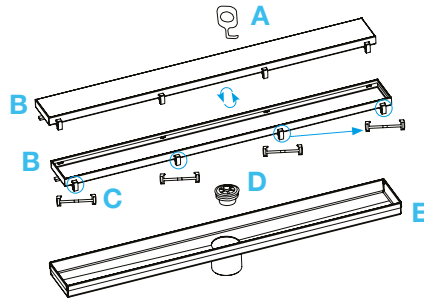
Drain Flange	SKU
2" PVC	83.100.00 PVC
2" ABS	83.100.00 ABS
2" Cast Iron No hub	83.100.01
2" Cast Iron FIP	83.100.01F

Note: Installer must verify all rough-in dimensions prior to installation and consult local and national codes. Conformity and compliance to local and national codes are the responsibility of the installer. Dimensions are subject to Manufacturers tolerance and change without notice. We can assume no responsibility for use of superseded or void data.

BAY LINEAR DRAIN 2 IN 1

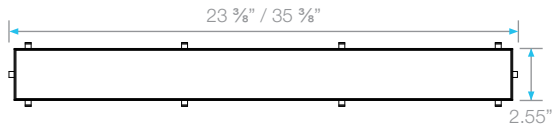
Kit Includes:

- A** Lifting Key
- B** Flat Stainless Steel or Tile-In Grate
- C** Plastic Legs
- D** Odor/Bugs Seal
- E** QM 304 Stainless Steel Drain Base



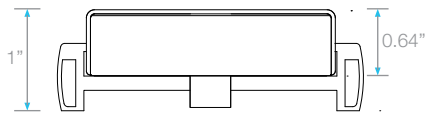
Specifications

B Grate - Top View

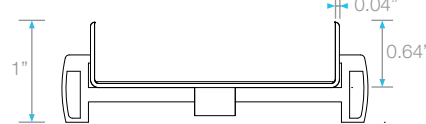


Side View

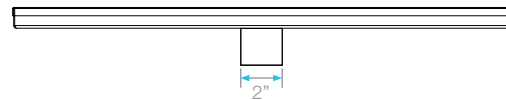
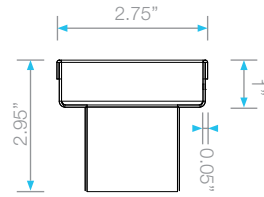
Flat Stainless Steel



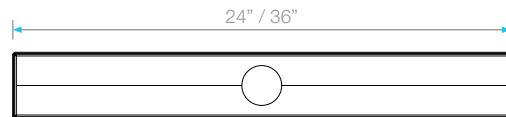
Tile-in Grate



E Base - Side View



Top View



Complete Kit



Length	Satin SKU
24"	38.100.05
36"	38.100.06

Add to Kit



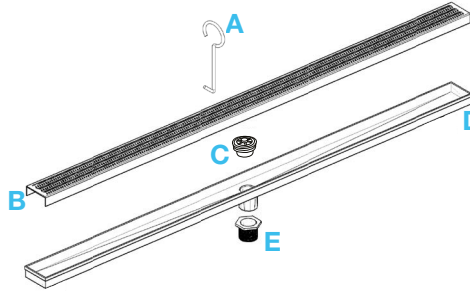
Drain Flange	SKU
2" PVC	83.100.00 PVC
2" ABS	83.100.00 ABS
2" Cast Iron No hub	83.100.01
2" Cast Iron FIP	83.100.01F

Note: Installer must verify all rough-in dimensions prior to installation and consult local and national codes. Conformity and compliance to local and national codes are the responsibility of the installer. Dimensions are subject to Manufacturers tolerance and change without notice. We can assume no responsibility for use of superseded or void data.

BAY LINEAR DRAIN

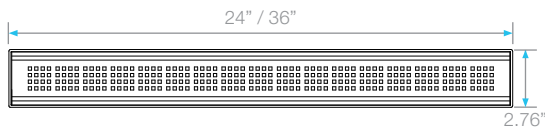
Kit Includes:

- A** Lifting Key
- B** Grate
- C** Odor/Bugs Seal
- D** Base
- E** Threaded Nipple



Specifications

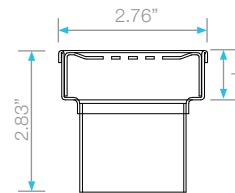
B Grate - Top View



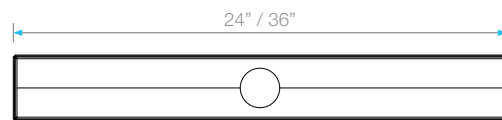
Side View



E Base - Side View



Top View



Kit includes

- Lifting Key
- Hair/Debris Strainer
- Grate
- Base
- Threaded Nipple

Complete Kit

Ria Linear



Length
 24"
 36"

Satin
 SKU
 38.200.24
 38.200.36

Polished
 SKU
 38.200.24 P
 38.200.36 P

Satin Gold
 SKU
 38.200.24 G
 38.200.36 G

ORB/Black
 SKU
 38.200.24 ORB
 38.200.36 ORB

Add to Kit



Drain Flange

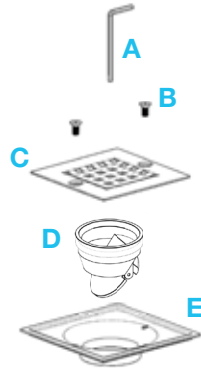
	SKU
2" PVC	83.100.00 PVC
2" ABS	83.100.00 ABS
2" Cast Iron No hub	83.100.01
2" Cast Iron FIP	83.100.01F

Note: Installer must verify all rough-in dimensions prior to installation and consult local and national codes. Conformity and compliance to local and national codes are the responsibility of the installer. Dimensions are subject to Manufacturers tolerance and change without notice. We can assume no responsibility for use of superseded or void data.

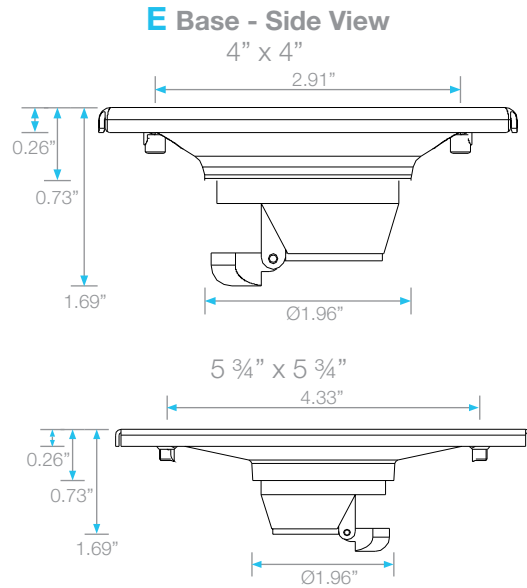
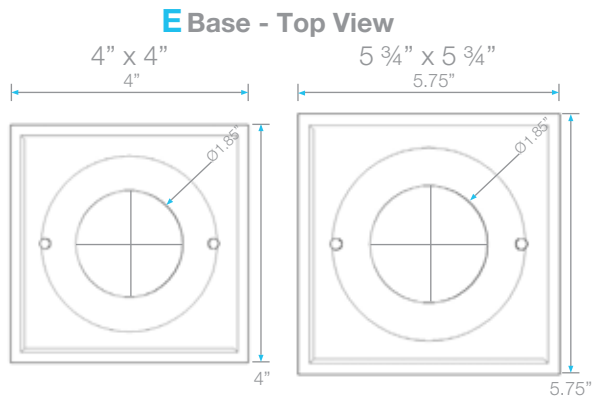
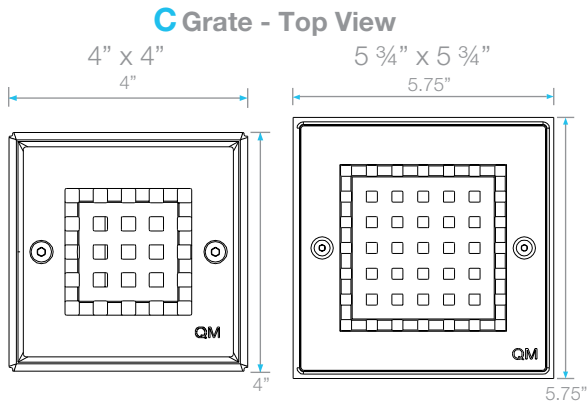
BAY SQUARE DRAIN

Kit Includes:

- A** Lifting Key
- B** Bolts
- C** Grate
- D** Anti Odor Sealer
- E** Base



Specifications



D Anti Odor Sealer - Perspective View



Complete Kit

Ria Square



Length

4" x 4"

5 3/4" x 5 3/4"

Satin
SKU

38.100.01

38.100.02

Polished
SKU

38.100.03

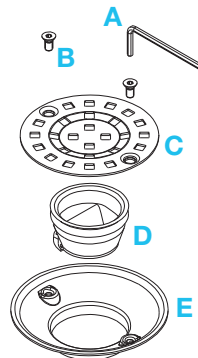
38.100.04

Note: Installer must verify all rough-in dimensions prior to installation and consult local and national codes. Conformity and compliance to local and national codes are the responsibility of the installer. Dimensions are subject to Manufacturers tolerance and change without notice. We can assume no responsibility for use of superseded or void data.

BAY ROUND DRAIN

Kit Includes:

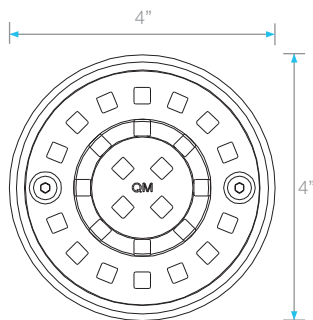
- A** Lifting Key
- B** Bolts
- C** Grate
- D** Anti Odor Sealer
- E** Base



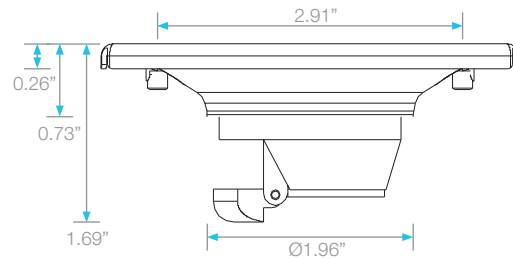
Specifications

C Grate - Top View

Ø 4"

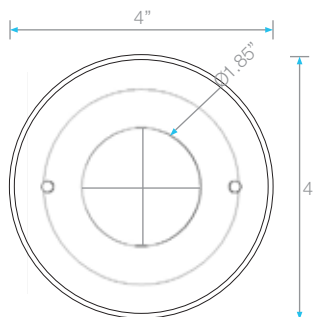


E Base - Side View



E Base - Top View

Ø 4"



D Anti Odor Sealer - Perspective View



Complete Kit

**Ria
Round**

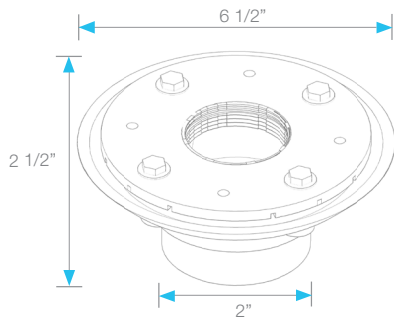


Length
Ø4"

**Satin
SKU**
38.100.00

Note: Installer must verify all rough-in dimensions prior to installation and consult local and national codes. Conformity and compliance to local and national codes are the responsibility of the installer. Dimensions are subject to Manufacturers tolerance and change without notice. We can assume no responsibility for use of superseded or void data.

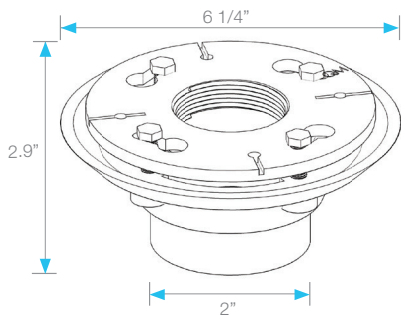
COMPONENTS



Cast Iron Drain Flange

Cast Iron No hub SKU: 83.100.01 | Cast Iron FIP SKU: 83.100.01F

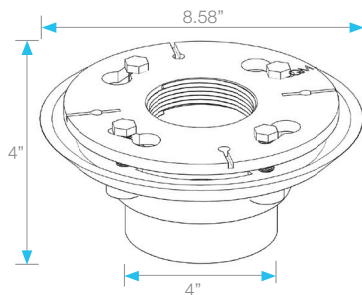
- Clamp down floor drain.
- 2" throat, 2" no hub outlet.
- 6 1/2" overall diameter.
- Waterproofing: PVC/Vinyl liner, Lead/copper pan, Hot mop, Rubber liner, Fiberglass.



PVC/ABS Drain Flange

PVC SKU: 83.100.00 PVC | ABS SKU: 83.100.00 ABS

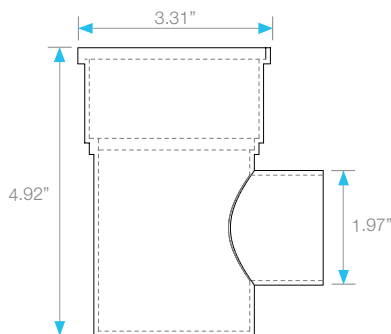
- Clamp down floor drain.
- 2" throat, 2" outlet.
- 6 1/4" overall diameter.
- Waterproofing: PVC/Vinyl liner, Lead/copper pan, Rubber liner, Fiberglass.



3" x 4" PVC Heavy Duty Drain Base with Clamping Ring

3"x 4" PVC Heavy Duty SKU: 83.100.14

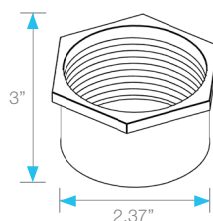
- Clamp down floor drain.
- 3.5" throat, 4" outlet.
- 8.58" overall diameter.
- Waterproofing: PVC/Vinyl liner, Lead/copper pan, Rubber liner, Fiberglass.



QM Side Outlet Drain Flange with Integrated Threaded Adaptor

SKU: 83.100.03

- 3.31" throat, 2" outlet.
- Waterproofing: PVC/Vinyl liner, Lead/copper pan, Rubber liner, Fiberglass.



Adaptor for Schluter® Drain Flange

SKU: 83.100.03

- To be used with Schluter® integrated bounding flange.
- Follow Schluter®-Shower System Installation Instructions.
- Height adjustable.



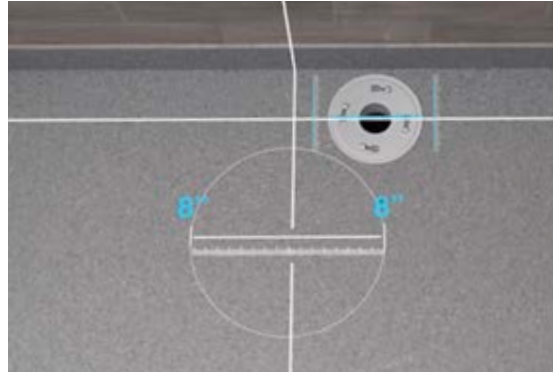
#QMDrain

Installation Instructions



Delmar Series Linear Drain. Supreme

Before beginning installation make sure the distance between the center of the shower and the outlet is within 8" of each other



Watch Installation Video



Step 1. Have your shower area ready, waterproofing installed and tested.



Step 2. Mark the center of your shower and screw threaded nipple into the drain flange, adjust to desired height.



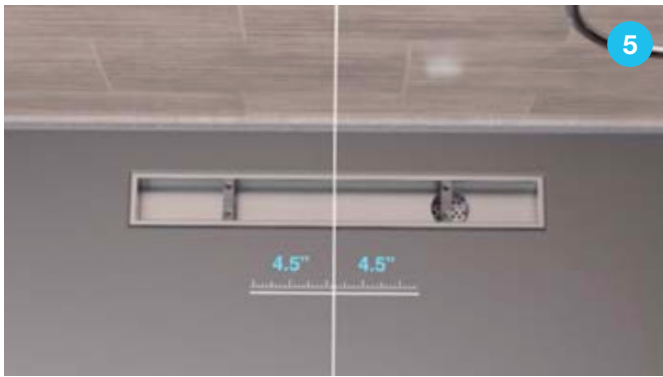
Step 3. Insert the drain channel into the threaded nipple.



Step 4. Trowel mortar to required height.

Note: the longest side of the channel should always go towards the center of the shower.

Tip: measure the floor thickness and leave just the space for thin set and floor tile, taking into consideration the grate height. Your floor should end flush with the grate.



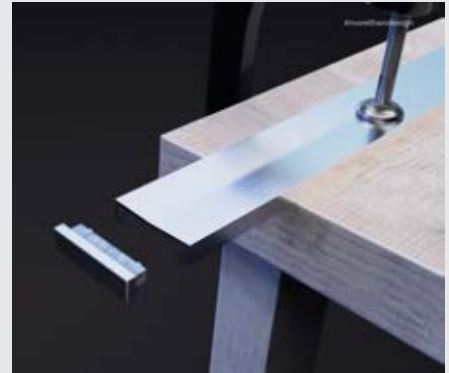
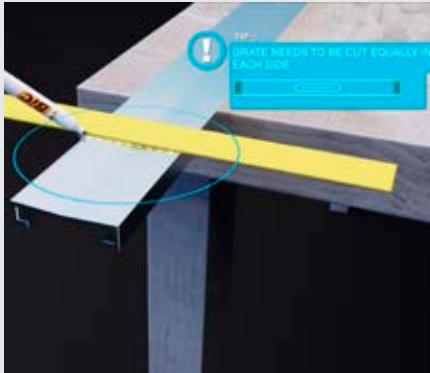
Step 5. Once mortar has cured, move the railing sliders into position, each at 4.5" from the center of the shower.



Step 6. Attach the grate to the channel. With the sliders positioned correctly, place the grate over the base and make sure the grate looks centered in the shower, adjust accordingly.



If grate needs to be cut to specific length, remove the grate end-caps, and cut using the enclosed stainless steel blade or a Handheld Hacksaw with 32 TPI for cleanest cut. Handheld Hacksaw is recommended for cutting all grates except the satin finish.



Tips:

- Use painter's tape on grate surface to protect finish when cutting.
- Grate needs to be cut equally on each side.
- Draw a straight line where the cut will be made.
- Clamp grate to stable surface for cutting.
- Gently file edges.
- Do not bend or pull away cut sections, allow them to fall away.
- Re-connect end-caps.



6a. Once grate and slider position are verified, apply Sikaflex around the top edge of the base and thin-set to the bottom of the grate.



6b. Install grate on top of the base and screw into the sliders using the enclosed screws.



Step 7. Verify that the grate is perfectly straight and level before installing the floor. Use enclosed wedges to raise any part of the grate if needed.



Step 8. Apply thin-set and install tile and grout.



Step 9. Remove the stainless steel protector and place the removable grate.

Note:

- Waterproof membrane should be installed and tested per manufacturer's instructions and local building and plumbing codes.
- QM® recommends this product to be installed by a licensed contractor.
- Failure to achieve adequate floor slope will result in standing water problems or slow water flow. Recommended slope for a shower floor is about 4 percent, or a 1/2 inch drop per every 12 inches from the shower walls to the drain.
- QM® Drain fits into the most common 2" ABS, PVC or cast iron shower drain flange.
- Lifting key assists with grate removal.
- Hair strainer basket fits inside the drain to collect hair and other debris preventing pipe clogs. Empty basket as needed to maintain optimal performance. The use of the basket is optional.



Delmar Series Linear Drain. Adjustable

Step 1. Determine where the drain will be positioned, frame out shower surround as required.

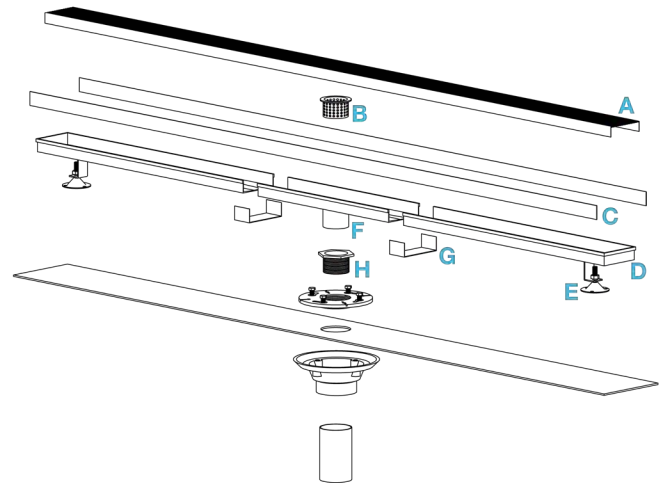
Step 2. Connect drain flange body to the drain pipe, leaving drain bolts in place. Cover the drain opening to prevent floor mortar blocking pipe work.

Step 3. Trowel mortar onto subfloor, pitch at a 1/4" per foot slope in direction towards the shower base.

Step 4. Install waterproof membrane, reinforce around outlet and cut carefully to expose heads of drain bolts and outlet. Install clamping ring.

Step 5. Test membrane for leaks.

Step 6. Screw threaded nipple into the drain flange, adjust to desired height **H**.



Kit Sizes: 36", 48", 60", 72" & 96"

Kit Includes:

- A** QM 316 Stainless Steel Grate
 - B** Hair Strainer
 - C** Trim
 - D** QM 316 Stainless Steel Drain Base
 - E** Leveling Legs
 - F** Outlet
 - G** Joiners
 - H** Threaded Nipple /Adapter
- + Key + Sikaflex Sealant + Stainless Steel Cutting Blade

Step 8. Calculate finished drain length, allowing for wall & tile thickness and 8" for the outlet section **F**.

For full drain length, cut the channel where the center of the outlet section **F** will be placed.

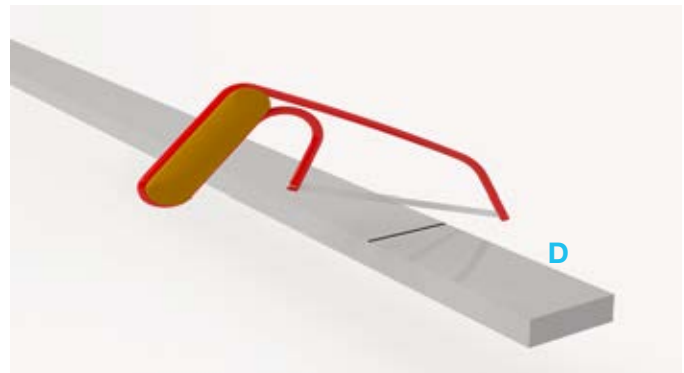
For shorter length, remove equal amounts (half of total amount to be removed) from each cut of channel.

Example: if 4" needs to be removed, cut 2" from each side **D**.

Tool: Use enclosed Stainless Steel cutting blade or a Handheld Hacksaw with 32 TPI for cleanest cut.

Tips:

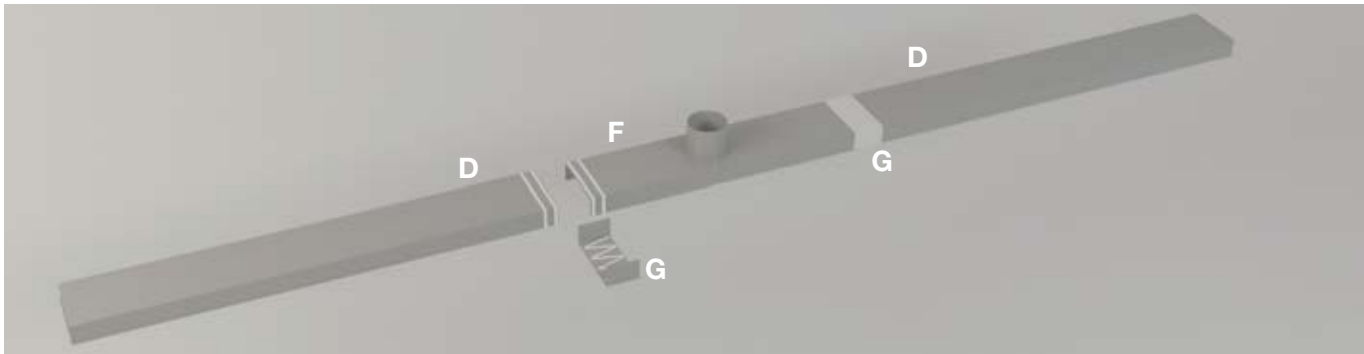
- a) Draw a straight line on the back of the channel where the cut will be made.
- b) Clamp channel to stable, level surface for cutting.
- c) Apply WD-40 lubricant for ease of sawing.
- d) Cut drain channel at 45° angles. Use a 30° angle on corners.
- e) Gently file edges with a carpenter file.
- f) Do not bend or pull away pieces being cut from channel, allow cut pieces to fall away.



Step 9. Clean all parts. On a flat, stable surface, align the cut ends of the channel with the outlet section **F**. To join the channel pieces **D** to the outlet **F**, attach joiner strips **G** to the underside of the seams, using provided Sikaflex 1A construction sealant. Remove any Sikaflex spill over. Allow to dry minimum of 8 hours before handling.

Tips:

a) Use Denatured Alcohol to clean.



Step 10. Apply Sikaflex 1A sealant to trim **C** pieces and fit them onto the longer outer edge of the channel **D**. Remove any Sikaflex spill over. Allow to dry minimum of 8 hours before handling.

Tips: Cover the inside of the base with blue painter tape to avoid staining the base with sealant residual.

Step 11. Place the drain channel into the threaded nipple **H**. Use the adjustable feet **E** to keep the drain channel into the correct position and level.

Step 12. Trowel mortar to required height

Step 13. Once floor mortar has cured, apply thin set and install tile and grout

Step 14. Place the grate into the channel. Note: the grate might need to be cut to fit inside the channel easily. **For Mist** spread a layer of mortar into the grate, allowing for thinset and material to finish flush with metal frame.

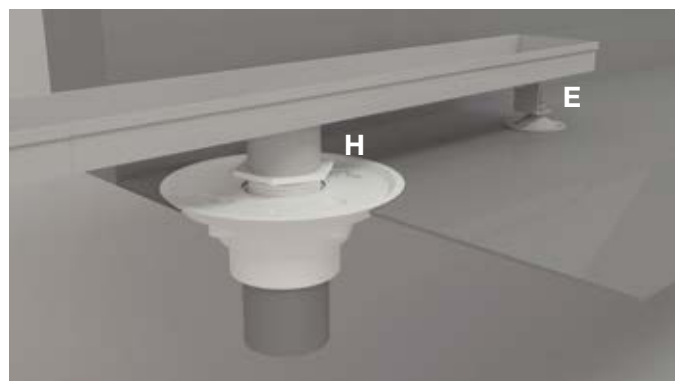
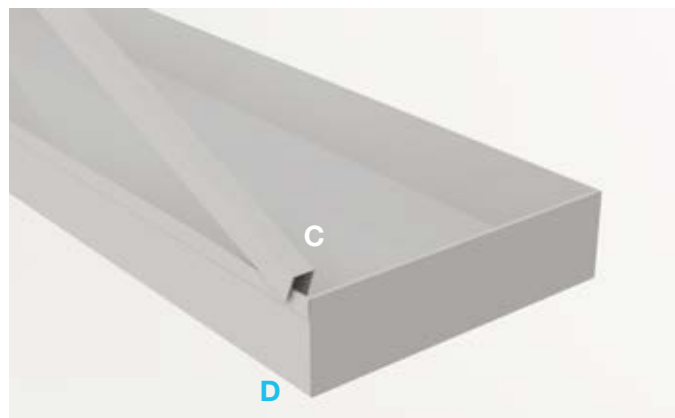
Tool: Use enclosed Stainless Steel cutting blade or a Handheld Hacksaw with 32 TPI for cleanest cut.

Tips:

- a) Draw a straight line where the cut will be made.
- b) Clamp grate to stable, level surface for cutting.
- c) Apply WD-40 lubricant for ease of sawing.
- d) Cut drain channel at 45° angle.
- e) Gently file edges with a carpenter file.
- f) Do not bend or pull away cut sections, allow them to fall away.

Note:

- Hair Strainer basket fits inside the drain to collect hair and other debris preventing pipe clogs. Empty basket as needed to maintain optimal performance. The use of the basket is optional.
- Waterproof membrane shall be installed and tested per manufacturer's instructions and local building and plumbing codes.
- QM recommends this product to be installed by a licensed contractor.
- QMDrain fits into most common 2" ABS, PVC or Cast Iron shower drain flange.
- Lifting key assists with grate removal.
- Failure to achieve adequate floor slope will result in standing water problems or slow water flow.



Watch Installation Video

Delmar Series Linear Drain Standard Length. Standard installation for wood sub-floor

Step 1. Determine where the drain will be positioned, frame out shower surround as required.

Step 2. Connect drain flange body **A** to the drain pipe, leaving drain bolts in place. Block drain opening with rag to prevent floor mortar blocking pipe work.

Step 3. Trowel mortar onto subfloor **B**, pitch at a 1/4" per foot slope in direction towards the shower base.

Step 4. Install waterproof membrane **C**, reinforce around outlet and cut carefully to expose heads of drain bolts and outlet. Install clamping ring **D**.

Step 5. Test membrane for leaks.

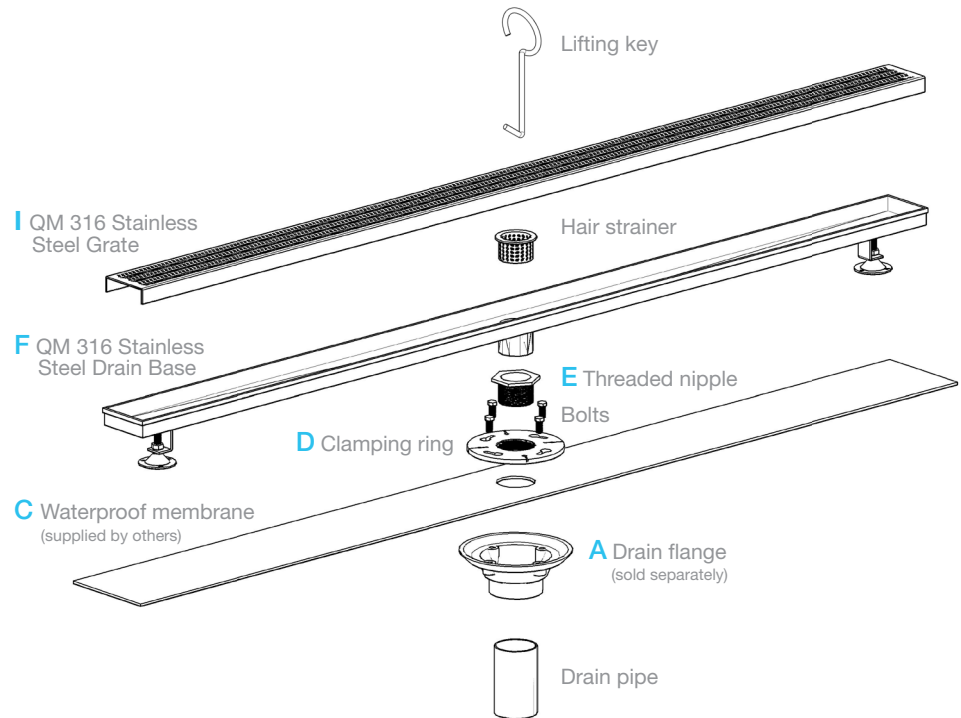
Step 6. Screw threaded nipple **E** into the drain flange, adjust to desired height.

Step 7. Place the drain channel **F** into the threaded nipple. Use the adjustable feet to keep the drain channel in the correct position and level.

Step 8. Trowel mortar to required height **G**.

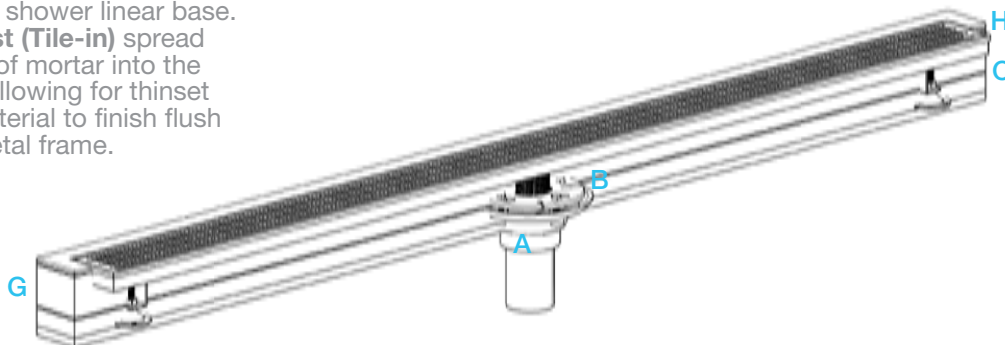
Step 9. Once floor mortar has cured, apply thin set and install tile and grout **H**.

Step 10. Install the grate **I** into the shower linear base. **For Mist (Tile-in)** spread a layer of mortar into the grate, allowing for thinset and material to finish flush with metal frame.



Note:

- Waterproof membrane should be installed and tested per manufacturer's instructions and local building and plumbing codes.
- QM recommends this product to be installed by a licensed contractor.
- QM drain fits into most common 2" ABS, PVC or Cast Iron shower drain flange.
- Hair Strainer basket fits inside the drain to collect hair and other debris preventing pipe clogs. Empty basket as needed to maintain optimal performance. The use of the basket is optional.
- Lifting key assists with grate removal.
- Failure to achieve adequate floor slope will result in standing water problems or slow water flow.



Watch Installation Video

Delmar Series Linear Drain Standard Length. Installation for concrete slab

Step 1. Determine where the drain will be positioned, frame out shower surround as required.

Step 2. Connect drain outlet **A** to waste pipe **B** using a no hub coupling. Use the adjustable feet to keep the drain channel in the correct position and level.

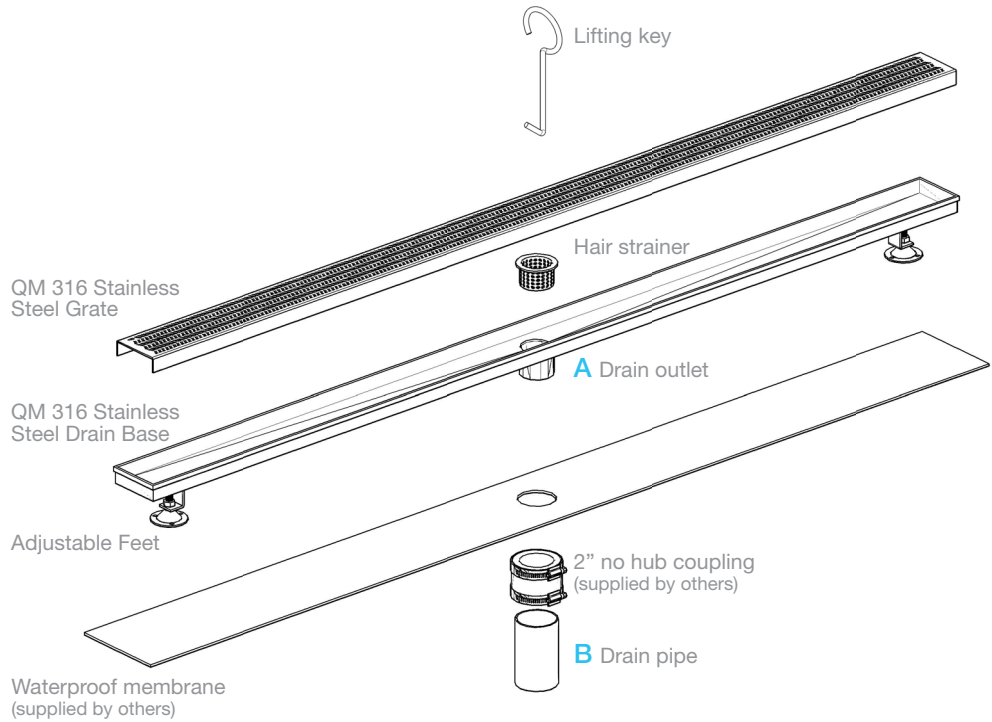
Step 3. Pour concrete slurry to the height of the channel bottom **C**, pitch at a 1/4" per foot slope in direction towards the shower base.

Step 4. Install hot-mop or liquid membrane per manufacturer's instructions, fully covering concrete.

Step 5. Trowel mortar to required height.

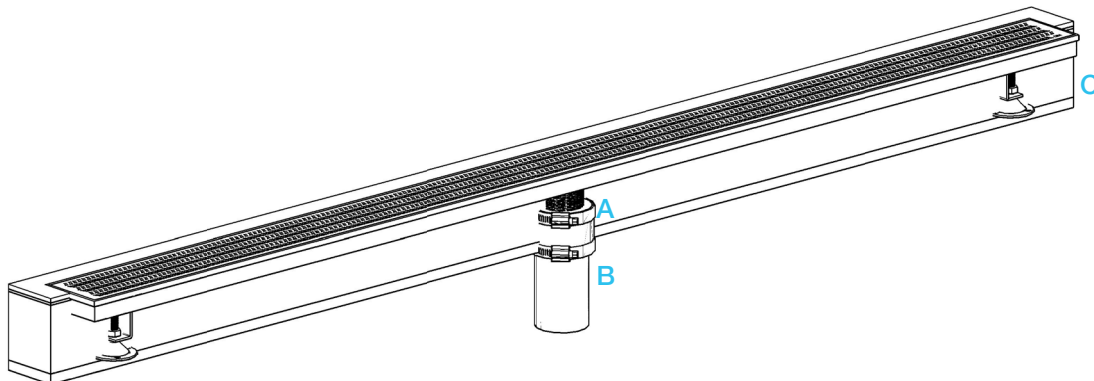
Step 6. Once floor mortar has cured, apply thin set and install tile and grout.

Step 7. Install the grate into the shower linear base. **For Mist (Tile-in)** spread a layer of mortar into the grate, allowing for thinset and material to finish flush with metal frame.



Note:

- QM recommends this product to be installed by a licensed contractor.
- Hair Strainer basket fits inside the drain to collect hair and other debris preventing pipe clogs. Empty basket as needed to maintain optimal performance. The use of the basket is optional.
- Lifting key assists with grate removal.
- Failure to achieve adequate floor slope will result in standing water problems or slow water flow.



Delmar Series Linear Drain Flange Edge Standard Length. Installation for concrete slab

Step 1. Determine where the drain will be positioned, frame out shower surround as required.

Step 2. Connect drain outlet **A** to waste pipe **B** using a no hub coupling. Use the adjustable feet to keep the drain channel in the correct position and level.

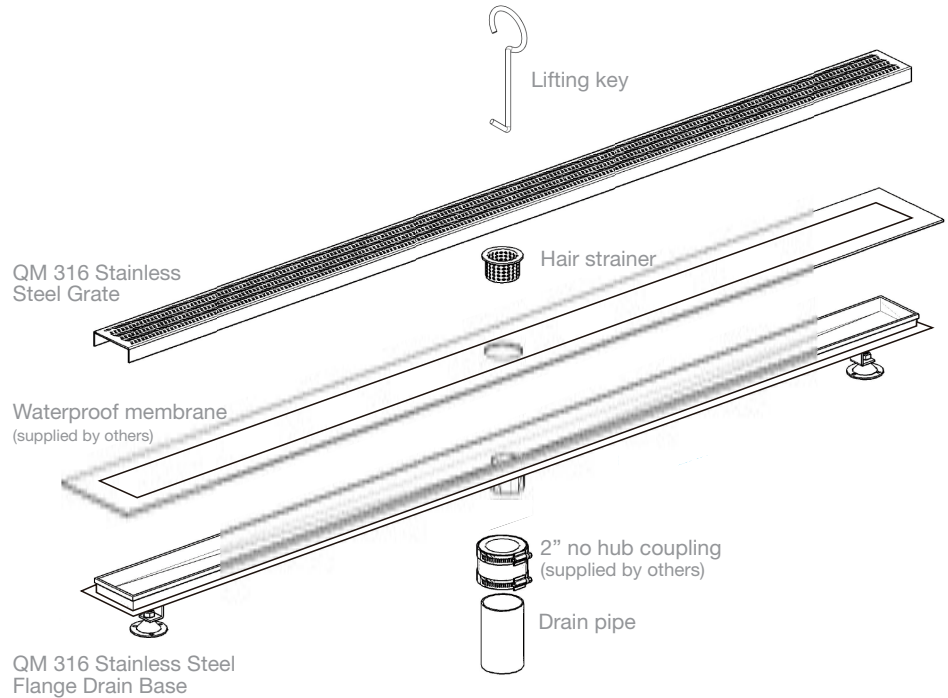
Step 3. Pour a mortar bed under the length of the base and across shower area, pitch at a 1/4" per foot slope in direction towards the shower base. Note that pitch ends at base flange edge.

Step 4. Install waterproofing (hot-mop, liquid membrane or sheet membrane) as per manufacturer's instructions. Paint or bond waterproofing directly to the base flange edge

Step 5. Trowel mortar to required height.

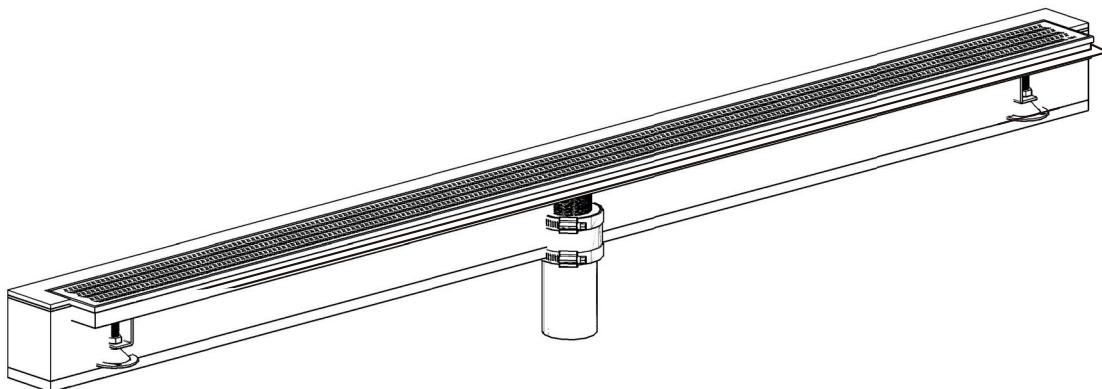
Step 6. Once floor mortar has cured, apply thin set and install tile and grout.

Step 7. Install the grate into the shower linear base. **For Mist (Tile-in)** spread a layer of mortar into the grate, allowing for thinset and material to finish flush with metal frame.



Note:

- QM recommends this product to be installed by a licensed contractor.
- Hair Strainer basket fits inside the drain to collect hair and other debris preventing pipe clogs. Empty basket as needed to maintain optimal performance. The use of the basket is optional.
- Lifting key assists with grate removal.
- Failure to achieve adequate floor slope will result in standing water problems or slow water flow.



Delmar/Lagos Series Point Drain. Standard installation for wood sub-floor

Step 1. Frame out shower surround as required.

Step 2. Connect drain flange body **A** to the drain pipe, leaving drain bolts in place. Block drain opening with rag to prevent floor mortar blocking pipe work.

Step 3. Trowel mortar bed over subfloor **B**, pitch at a 1/4" per foot slope in four directions towards the shower base.

Step 4. Install waterproof membrane **C**, reinforce around outlet and cut carefully to expose heads of drain bolts and outlet. Install clamping ring **D**.

Step 5. Test membrane for leaks.

Step 6. Screw the QM drain base **E** into the drain flange, adjust height as needed. Proper height should be determined by flooring contractor.

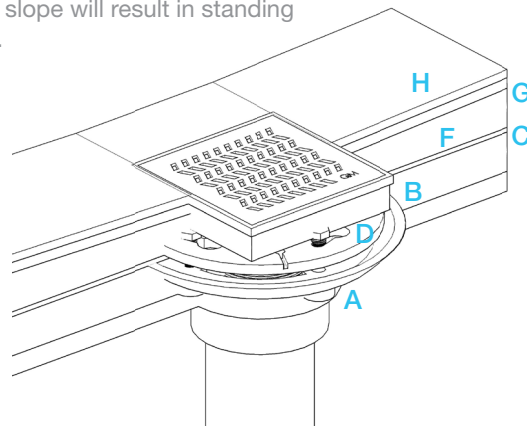
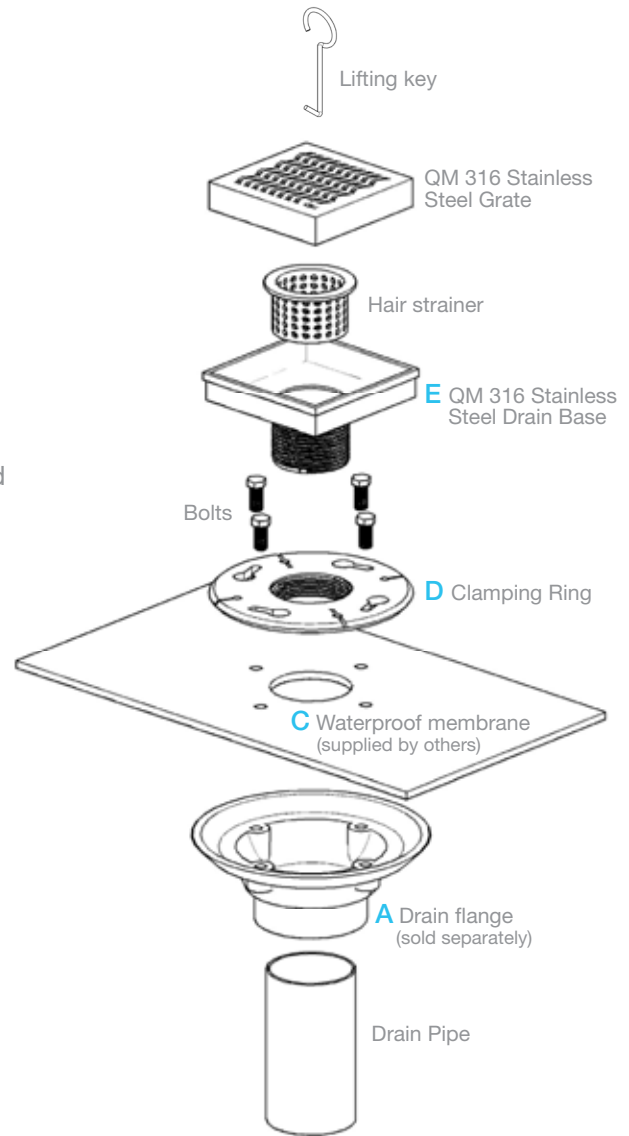
Step 7. Trowel mortar to required height **F**.

Step 8. Once floor mortar has cured, apply thin set **G** and install tile and grout **H**.

Step 9. Install the grate into QM drain base. **For Mist or Veil (Tile-in)** spread a layer of mortar into the grate, allowing for thinset and material to finish flush with metal frame.

Note:

- Waterproof membrane should be installed and tested per manufacturer's instructions, local building and plumbing codes.
- QM recommends this product to be installed by a licensed contractor.
- QM drain fits into most common 2" ABS, PVC or Cast Iron shower drain flange.
- Hair stainer basket fits inside the drain to collect hair and other debris, preventing pipe clogs. Empty basket as needed to maintain optimal performance. The use of the basket is optional.
- Lifting key assists with grate removal.
- Failure to achieve adequate floor slope will result in standing water problems or slow water flow.



Watch Installation Video

Delmar/Lagos Series Point Drain. Installation for concrete slab

Step 1. Frame out shower surround as required.

Step 2. Connect drain outlet **A** to waste pipe **B** using a no hub coupling.

Step 3. Pour concrete slurry to the height of the channel bottom, pitch at a 1/4" per foot slope in four directions towards the shower base.

Step 4. Install waterproofing membrane per manufacturer's instructions, fully covering concrete **D**.

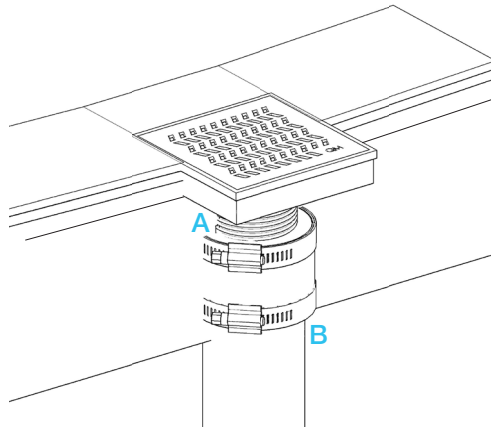
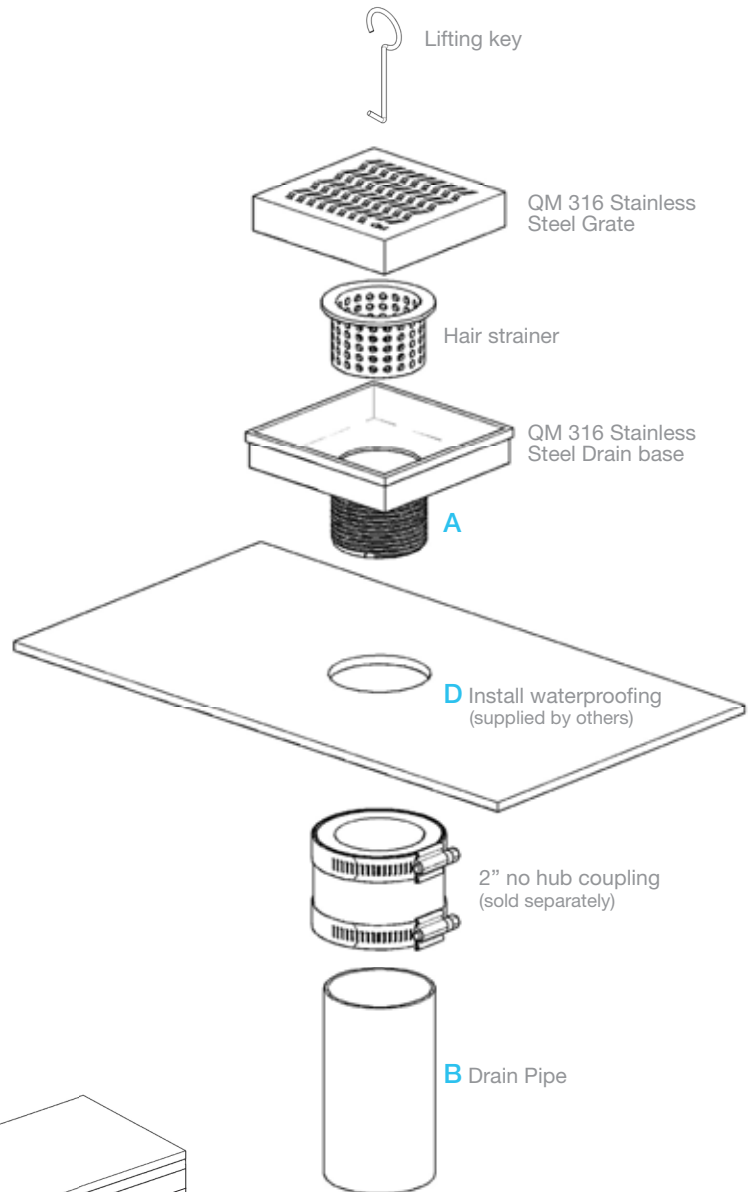
Step 5. Trowel mortar to required height.

Step 6. Once floor mortar has cured, apply thin set and install tile and grout.

Step 7. Install the grate into the shower linear base. **For Mist or Veil (Tile-in)** spread a layer of mortar into the grate, allowing for thinset and material to finish flush with metal frame.

Note:

- QM recommends this product to be installed by a licensed contractor.
- Hair Stainer basket fits inside the drain to collect hair and other debris preventing pipe clogs. Empty basket as needed to maintain optimal performance. The use of the basket is optional.
- Lifting key assists with grate removal.
- Failure to achieve adequate floor slope will result in standing water problems or slow water flow.



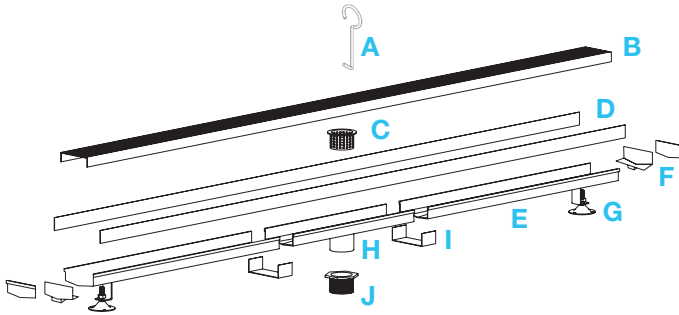


Lagos Series Linear Drain. Adjustable

Kit Sizes: 36", 48", 60", 72" & 96"

Kit Includes:

- A** Lifting Key
- B** Grate
- C** Hair/Debris Strainer
- D** Trims
- E** PVC Base
- F** Base End Cap
- G** Leveling Legs
- H** Outlet
- I** Joiners
- J** Threaded Nipple / Adapter
+ Stainless Steel Cutting Blade



Step 1. Determine where the drain will be positioned, frame out shower surround as required.

Step 2. Connect drain flange body to the drain pipe, leaving drain bolts in place. Cover the drain opening to prevent floor mortar blocking pipe work.

Step 3. Trowel mortar onto subfloor, pitch at a 1/4" per foot slope in direction towards the shower base.

Step 4. Install waterproof membrane, reinforce around outlet and cut carefully to expose heads of drain bolts and outlet. Install clamping ring.

Step 5. Test membrane for leaks.

Step 6. Screw threaded nipple **J** into the drain flange, adjust to desired height.

Step 7. Calculate finished drain length, allowing for wall & tile thickness and 8" for the outlet section **H**.

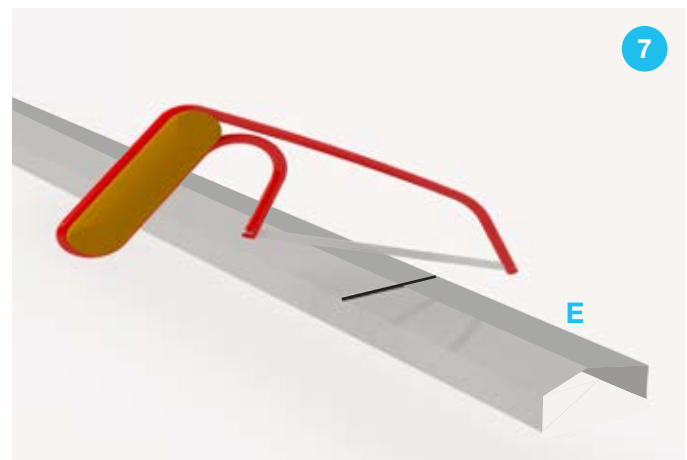
For full drain length, cut the base **E** where the center of the outlet section will be placed.

For shorter length, remove equal amounts (half of total amount to be removed) from each cut of base. (Example: if 4" needs to be removed, cut 2" from each side).

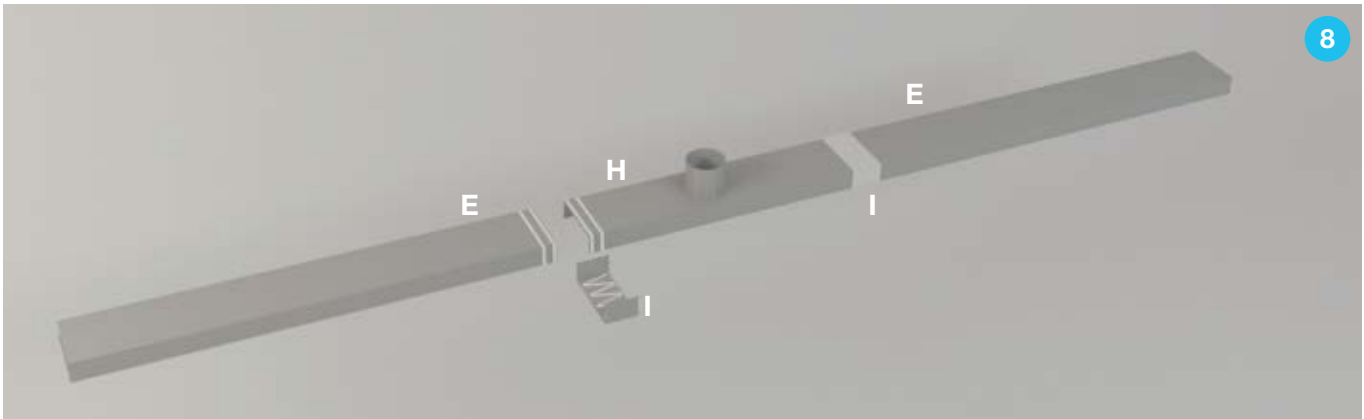
Tool: Use enclosed Stainless Steel cutting blade or a Handheld Hacksaw with 32 TPI for cleanest cut.

Tips:

- a) Draw a straight line on the back of the base where the cut will be made.
- b) Clamp base to stable, level surface for cutting.
- c) Cut drain base at 45° angles. Use a 30° angle on corners.
- d) Gently file edges.
- e) Do not bend or pull away pieces being cut from base, allow cut pieces to fall away.



8



Step 8. Clean all parts. On a flat, stable surface, align the cut ends of the base with the outlet section. To join the base pieces **E** to the outlet **H**, attach joiner strips **I** to the underside of the seams, using clear PVC primer and PVC cement.

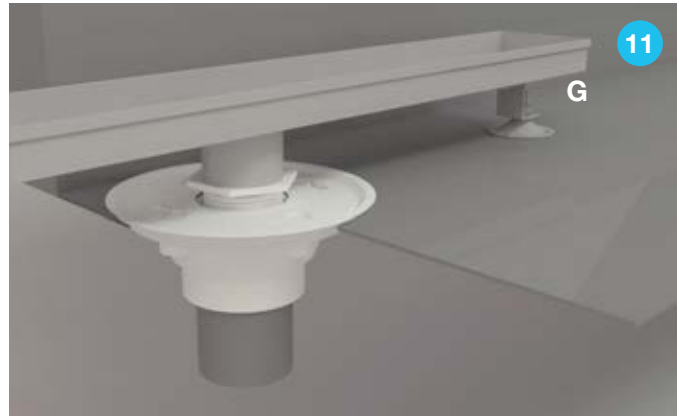
Step 9. Glue the channel end caps to the channel using clear PVC primer and PVC cement.



10

Step 10. Glue the trim pieces on each edge of the channel.

Tips: Cover the inside of the base with blue painter tape to avoid staining the base with sealant residual.



11

Step 11. Place the drain base into the threaded nipple **J**. Use the adjustable feet **G** to keep the drain channel into the correct position and level.

Tips: If it is necessary create a mortar bed under the length of the base to ensure support. Make sure base is straight and level before continue with next step.

Step 12. Trowel mortar to required height.

Step 13. Once floor mortar has cured, apply thin set and install tile and grout.

Step 14. Place the grate into the base. Note: the grate might need to be cut to fit inside the base easily. **For Mist** spread a layer of mortar into the grate, allowing for thinset and material to finish flush with metal frame.

Note:

- Hair Strainer basket fits inside the drain to collect hair and other debris preventing pipe clogs. Empty basket as needed to maintain optimal performance. The use of the basket is optional.
- Waterproof membrane shall be installed and tested per manufacturer's instructions and local building and plumbing codes.
- QM Drain recommends this product to be installed by a licensed contractor.
- QM Drain fits into most common 2" ABS, PVC or Cast Iron shower drain flange.
- Lifting key assists with grate removal.
- Failure to achieve adequate floor slope will result in standing water problems or slow water flow.

Lagos Series Veil Linear Drain. Standard installation for wood sub-floor

Step 1. Determine where the drain will be positioned, frame out shower surround as required.

Step 2. Connect drain flange body **A** to the drain pipe, leaving drain bolts in place. Block drain opening with rag to prevent floor mortar blocking pipe work.

Step 3. Trowel mortar onto subfloor **B**, pitch at a 1/4" per foot slope in direction towards the shower base.

Step 4. Install waterproof membrane **C**, reinforce around outlet and cut carefully to expose heads of drain bolts and outlet. Install clamping ring **D**.

Step 5. Test membrane for leaks.

Step 6. Screw threaded nipple into the drain flange, adjust to desired height **E**.

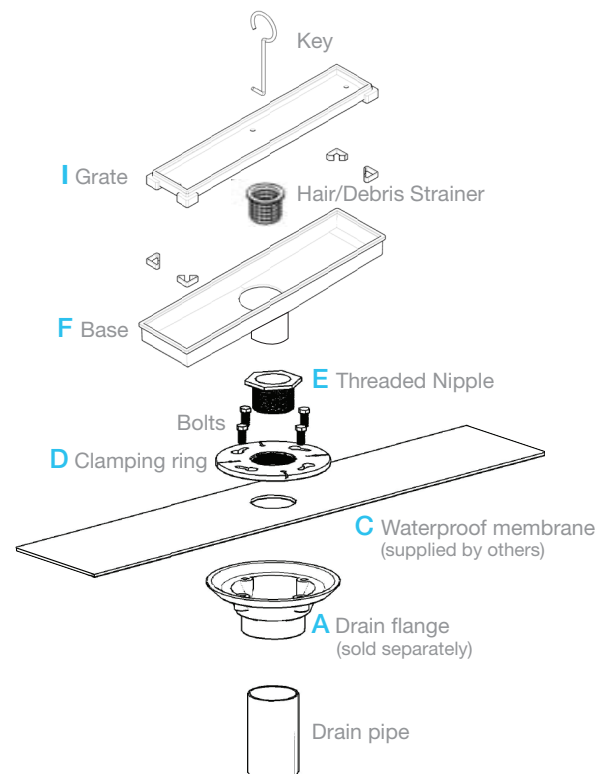
Step 7. Place the drain channel **F** into the threaded nipple. Use a mortar bed under the length of the base to support and level the drain channel.

Step 8. Trowel mortar to required height **G**.

Step 9. Once floor mortar has cured, apply thin set and install tile and grout **H**.

Step 10. For Tile-in spread a layer of mortar into the Tile-in frame, allowing for thinset and material to finish flush with metal frame.

Step 11. Install the grate into the shower linear base **I**.



Note:

- Waterproof membrane should be installed and tested per manufacturer's instructions and local building and plumbing codes.
- QM recommends this product to be installed by a licensed contractor.
- QM drain fits into most common 2" ABS, PVC or Cast Iron shower drain flange.
- Failure to achieve adequate floor slope will result in standing water problems or slow water flow.
- Key used to remove Grate from Base.
- Hair Strainer basket fits inside the drain to collect hair and other debris preventing pipe clogs. Empty basket as needed to maintain optimal performance. The use of the basket is optional.

Lagos Series Veil Linear Drain. Installation for concrete slab

Step 1. Determine where the drain will be positioned, frame out shower surround as required.

Step 2. Connect drain outlet **A** to waste pipe **B** using a no hub coupling. Use a mortar bed under the length of the base to support and level the drain channel.

Step 3. Pour concrete slurry to the height of the channel bottom **C**, pitch at a 1/4" per foot slope in direction towards the shower base.

Step 4. Install hot-mop or liquid membrane per manufacturer's instructions, fully covering concrete **C**.

Step 5. Trowel mortar to required height.

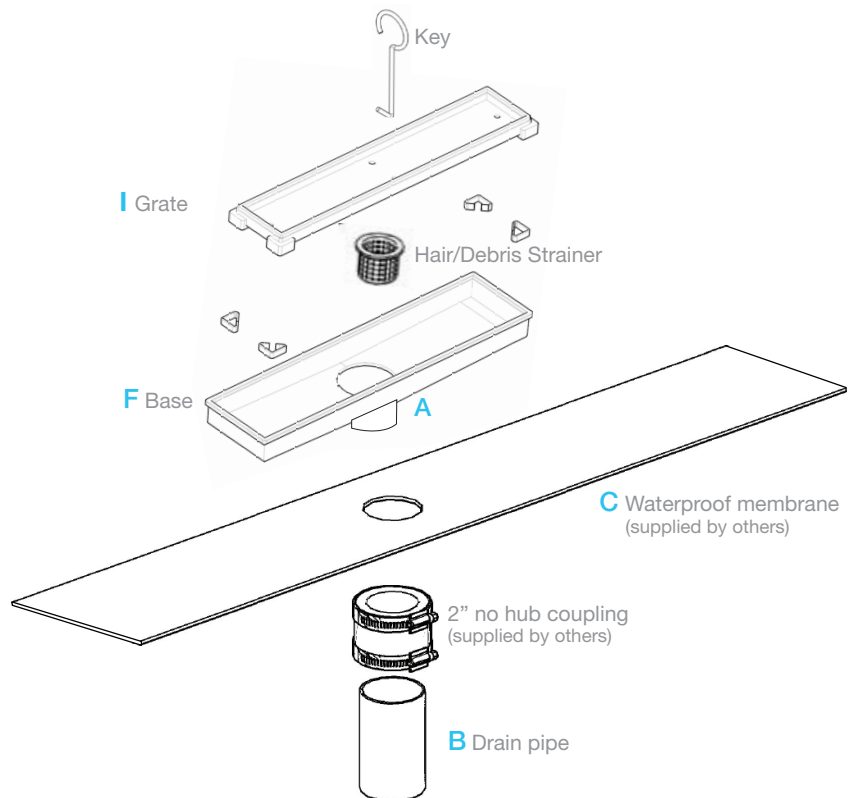
Step 6. Once floor mortar has cured, apply thin set and install tile and grout.

Step 7. For Tile-in spread a layer of mortar into the Tile-in frame, allowing for thinset and material to finish flush with metal frame.

Step 8. Install the grate into the shower linear base **I**.

Note:

- QM recommends this product to be installed by a licensed contractor.
- Failure to achieve adequate floor slope will result in standing water problems or slow water flow.
- Key used to remove Grate from Base.
- Hair Strainer basket fits inside the drain to collect hair and other debris preventing pipe clogs. Empty basket as needed to maintain optimal performance. The use of the basket is optional.



Bay Series 2 in 1 Linear Drain. Standard installation for wood sub-floor

Step 1. Determine where the drain will be positioned, frame out shower surround as required.

Step 2. Connect drain flange body **A** to the drain pipe, leaving drain bolts in place. Block drain opening with rag to prevent floor mortar blocking pipe work.

Step 3. Trowel mortar onto subfloor **B**, pitch at a ¼" per foot slope in direction towards the shower base.

Step 4. Install waterproof membrane **C**, reinforce around outlet and cut carefully to expose heads of drain bolts and outlet. Install clamping ring **D**.

Step 5. Test membrane for leaks.

Step 6. Screw threaded nipple into the drain flange, adjust to desired height **E**.

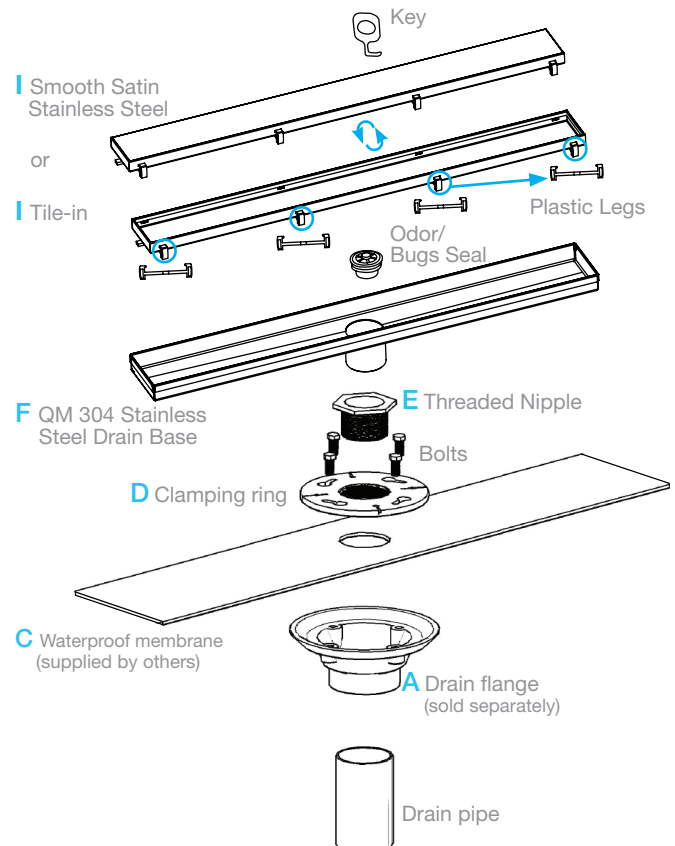
Step 7. Place the drain channel **F** into the threaded nipple. Use a mortar bed under the length of the base to support and level the drain channel.

Step 8. Trowel mortar to required height **G**.

Step 9. Once floor mortar has cured, apply thin set and install tile and grout **H**.

Step 10. Install the grate into the shower linear base **I**. **2 in 1 Reversible Grate** drain comes preselected in the Smooth Satin Stainless Steel side, if the desired side to use is the **Tile-In**, please remove Plastic Legs from the grate using Key included in set, and place Plastic Legs back on the opposite side. Ensure Legs are fully snapped on grate.

For Tile-in spread a layer of mortar into the Tile-in frame, allowing for thinset and material to finish flush with metal frame.



Note:

- Waterproof membrane should be installed and tested per manufacturer's instructions and local building and plumbing codes.
- QM recommends this product to be installed by a licensed contractor.
- QM drain fits into most common 2" ABS, PVC or Cast Iron shower drain flange.
- Failure to achieve adequate floor slope will result in standing water problems or slow water flow.
- Plastic Legs used to keep the grate centered in drain base, while creating proper height within drain base.
- Key used to remove Grate from Base, as well as remove Plastic Legs.
- Odor/Bugs Seal fits inside the drain to seal out odor and keeps insects and small rodents from coming up through the sewage system.

Bay Series 2 in 1 Linear Drain. Installation for concrete slab

Step 1. Determine where the drain will be positioned, frame out shower surround as required.

Step 2. Connect drain outlet **A** to waste pipe **B** using a no hub coupling. Use a mortar bed under the length of the base to support and level the drain channel.

Step 3. Pour concrete slurry to the height of the channel bottom **C**, pitch at a ¼" per foot slope in direction towards the shower base.

Step 4. Install hot-mop or liquid membrane per manufacturer's instructions, fully covering concrete **C**.

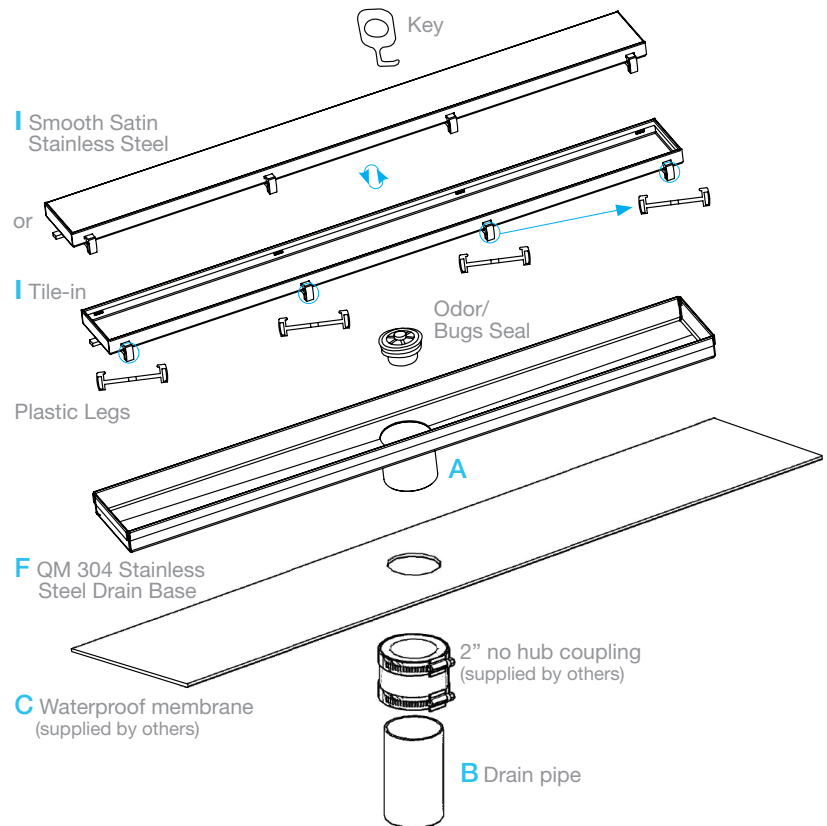
Step 5. Trowel mortar to required height.

Step 6. Once floor mortar has cured, apply thin set and install tile and grout.

Step 7. Install the grate into the shower linear base **I**.

2 in 1 Reversible Grate drain comes preselected in the Smooth Satin Stainless Steel side, if the desire side to use is the **Tile-in**, please remove Plastic Legs from the grate using Key included in set, and place Plastic Legs back on the opposite side. Ensure Legs are fully snapped on grate.

For Tile-in spread a layer of mortar into the Tile-in frame, allowing for thinset and material to finish flush with metal frame.



Note:

- QM recommends this product to be installed by a licensed contractor.
- Failure to achieve adequate floor slope will result in standing water problems or slow water flow.
- Plastic Legs used to keep the grate centered in drain base, while creating proper height within drain base.
- Key used to remove Grate from Base, as well as remove Plastic Legs.
- Odor/Bugs Seal: fits inside the drain to seal out odor and keeps insects and small rodents from coming up through the sewage system.

Bay Series Ria Linear Drain. Standard installation for wood sub-floor

Step 1. Determine where the drain will be positioned, frame out shower surround as required.

Step 2. Connect drain flange body **A** to the drain pipe, leaving drain bolts in place. Block drain opening with rag to prevent floor mortar blocking pipe work.

Step 3. Trowel mortar onto subfloor **B**, pitch at a 1/4" per foot slope in direction towards the shower base.

Step 4. Install waterproof membrane **C**, reinforce around outlet and cut carefully to expose heads of drain bolts and outlet. Install clamping ring **D**.

Step 5. Test membrane for leaks.

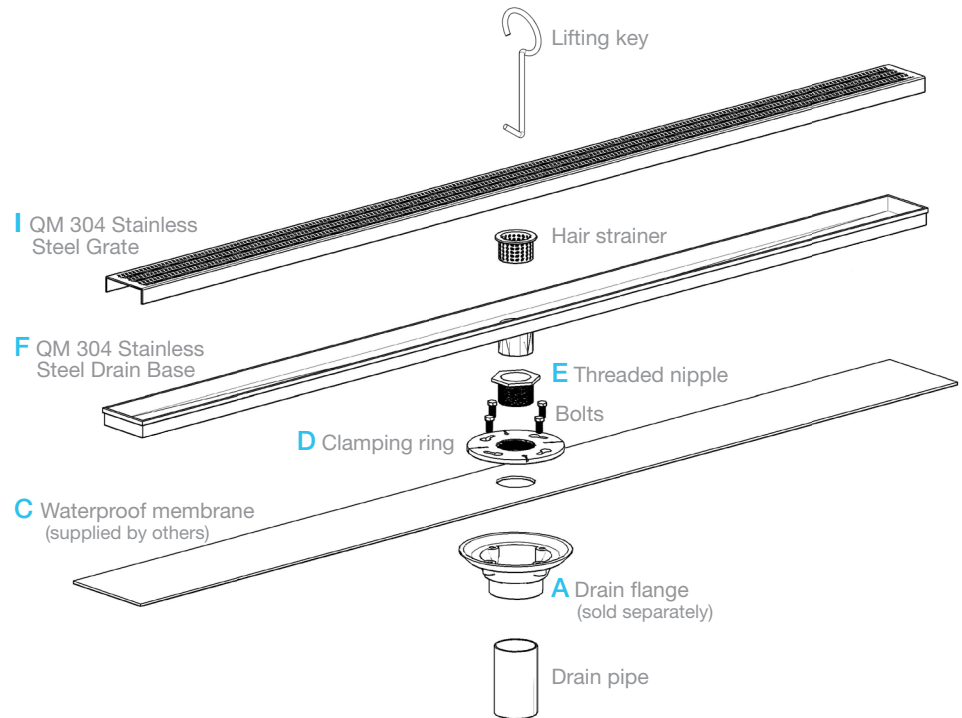
Step 6. Screw threaded nipple **E** into the drain flange, adjust to desired height.

Step 7. Place the drain channel **F** into the threaded nipple. Use the adjustable feet to keep the drain channel in the correct position and level.

Step 8. Trowel mortar to required height **G**.

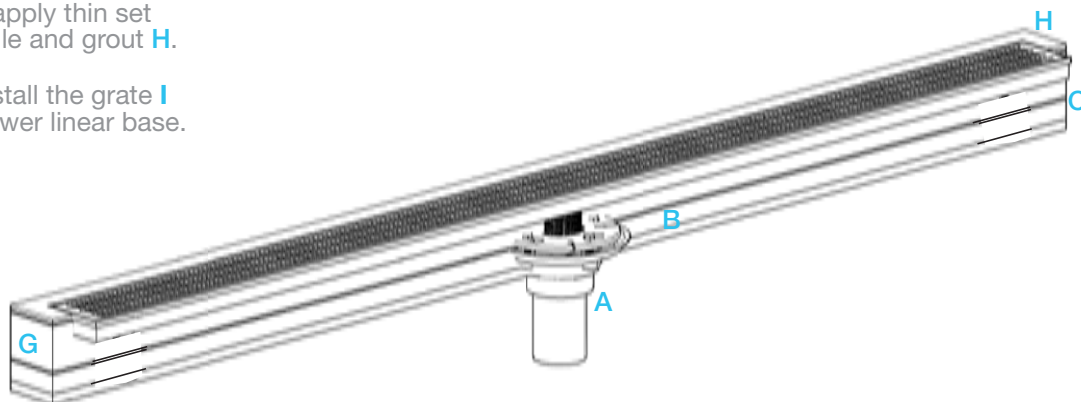
Step 9. Once floor mortar has cured, apply thin set and install tile and grout **H**.

Step 10. Install the grate **I** into the shower linear base.



Note:

- Waterproof membrane should be installed and tested per manufacturer's instructions and local building and plumbing codes.
- QM recommends this product to be installed by a licensed contractor.
- QM drain fits into most common 2" ABS, PVC or Cast Iron shower drain flange.
- Hair Stainer basket fits inside the drain to collect hair and other debris preventing pipe clogs. Empty basket as needed to maintain optimal performance. The use of the basket is optional.
- Lifting key assists with grate removal.
- Failure to achieve adequate floor slope will result in standing water problems or slow water flow.



Bay Ria Series Linear Drain. Installation for concrete slab

Step 1. Determine where the drain will be positioned, frame out shower surround as required.

Step 2. Connect drain outlet **A** to waste pipe **B** using a no hub coupling. Use the adjustable feet to keep the drain channel in the correct position and level.

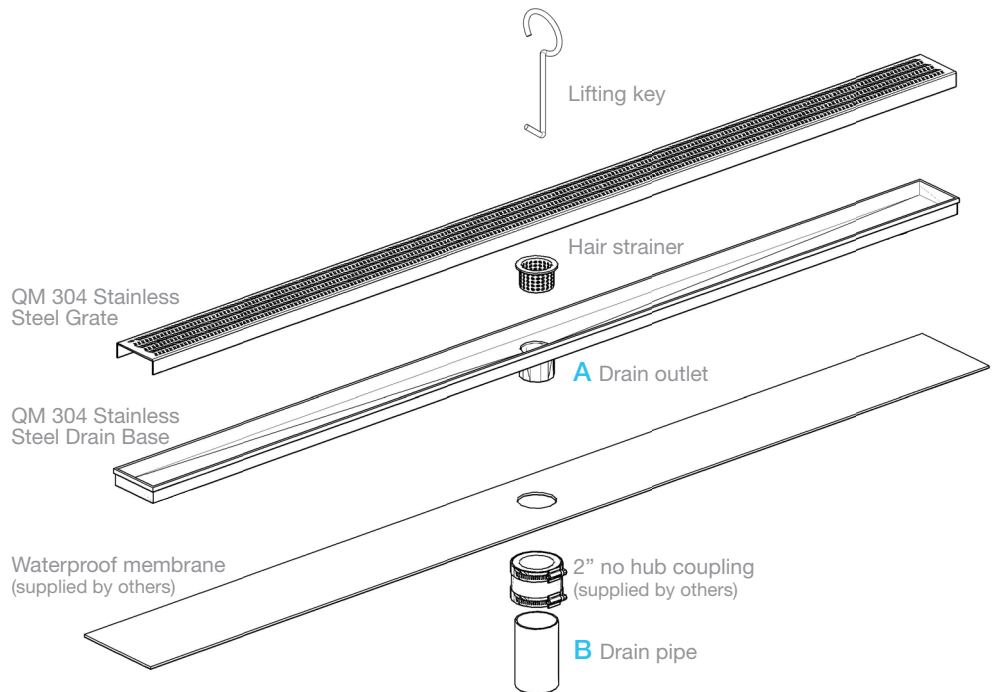
Step 3. Pour concrete slurry to the height of the channel bottom **C**, pitch at a $\frac{1}{4}$ " per foot slope in direction towards the shower base.

Step 4. Install hot-mop or liquid membrane per manufacturer's instructions, fully covering concrete.

Step 5. Trowel mortar to required height.

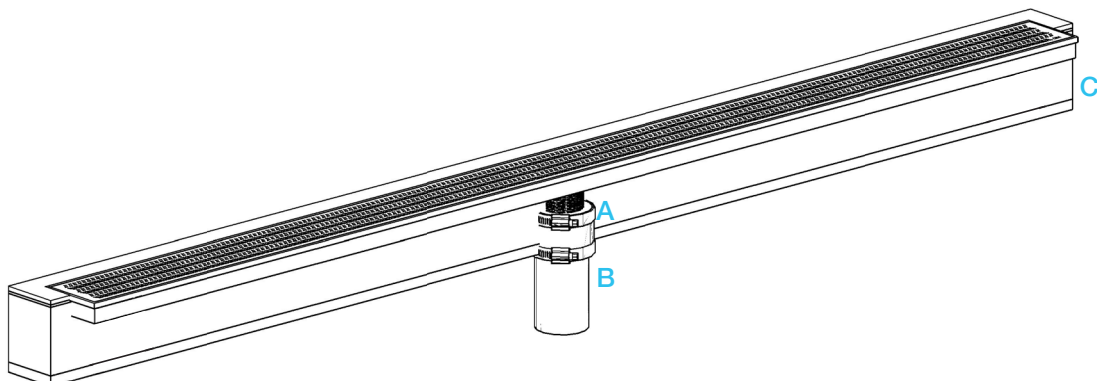
Step 6. Once floor mortar has cured, apply thin set and install tile and grout.

Step 7. Install the grate into the shower linear base.



Note:

- QM recommends this product to be installed by a licensed contractor.
- Hair Strainer basket fits inside the drain to collect hair and other debris preventing pipe clogs. Empty basket as needed to maintain optimal performance. The use of the basket is optional.
- Lifting key assists with grate removal.
- Failure to achieve adequate floor slope will result in standing water problems or slow water flow.



Bay Series Ria Center Drain. Installation for concrete slab

Step 1. Frame out shower surround as required.

Step 2. Connect drain outlet **A** to waste pipe **B**.

Step 3. Pour concrete slurry to the height of the channel bottom **C**, pitch at a 1/4" per foot slope in four directions towards the shower base.

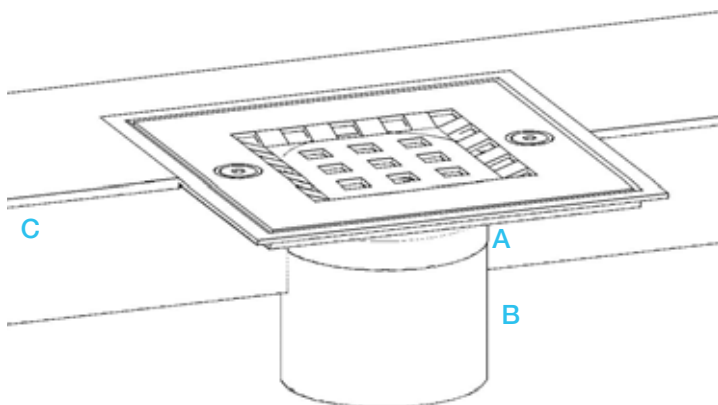
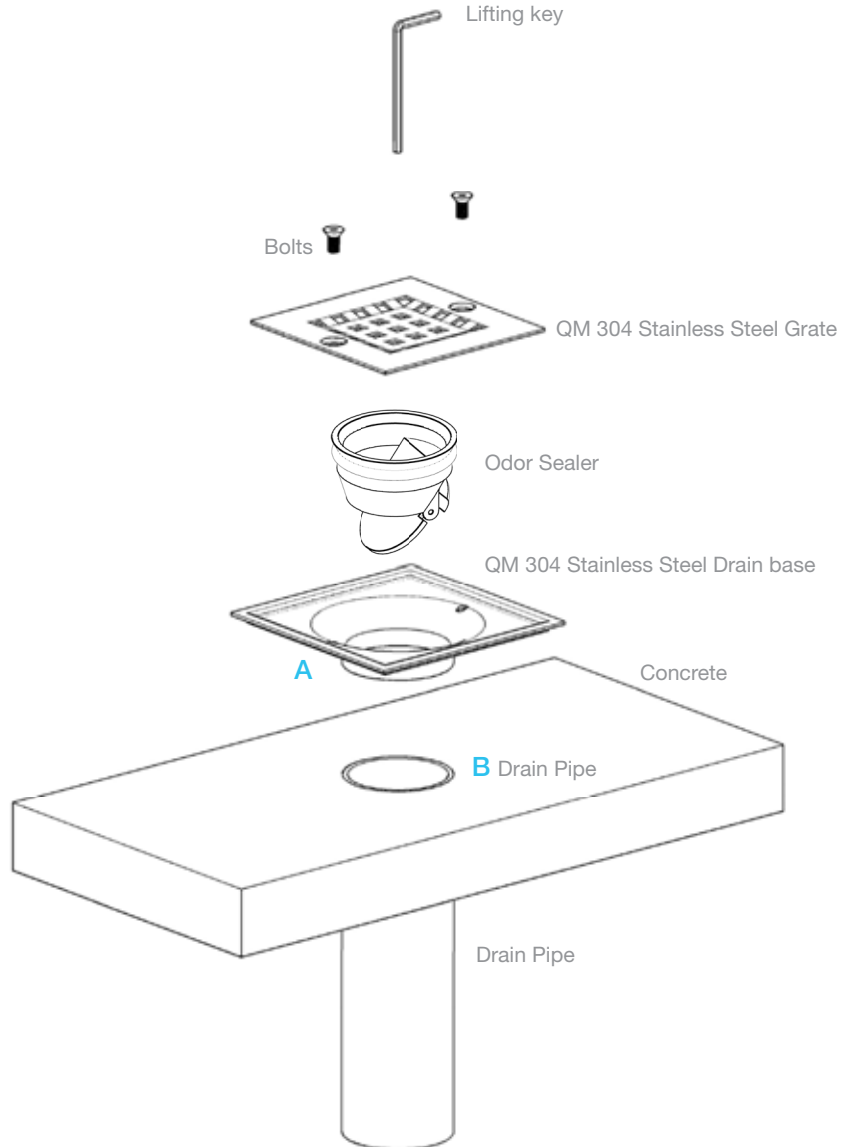
Step 4. Trowel mortar to required height.

Step 5. Once floor mortar has cured, apply thin set and install tile and grout.

Step 6. Install the grate into the shower linear base.

Note:

- QM recommends this product to be installed by a licensed contractor.
- Lifting key assists with grate removal.
- Failure to achieve adequate floor slope will result in standing water problems or slow water flow.



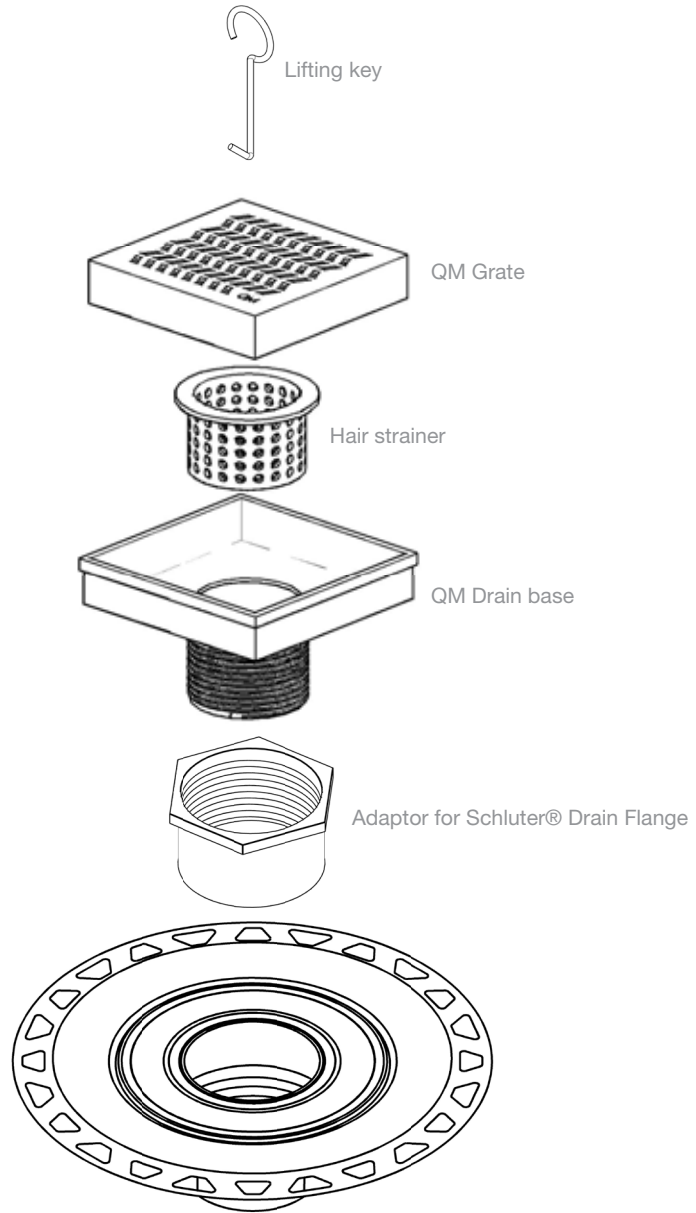
QM Drain Adaptor for Schluter® Drain Flange. Instructions

QM Drain Adaptor allows you to use QM drains instead of Schluter® Grate when using their integrated bonding flange (Residential 2" Drain Outlet) or Wedi® Drain Grate shower systems.

It is simple, just thread the adaptor into QM Drain and install following Schluter®-Shower System Installation instructions for the use of KERDI-DRAIN in shower applications (Instruction can be found in the Schluter®-Shower System Installation Handbook or online at: <http://www.schluter.com>) or Wedi® Shower System with the use of their Fundo Drain unit standard (mandatory article).

An advantage of using QM Drain adaptor is that it allows you to adjust the height of the grate as need it for the tile during installation.

QM Drain is in no way affiliated with Schluter® or Wedi®



www.qmdrain.com



www.qmdrain.com



QM USA, Corp.

4100 N Powerline Road, Suite Z3
Pompano Beach, FL 33073, USA.

info@qm-us.com • Phone: (954) 773 9450



QM Drain



qmdrain